

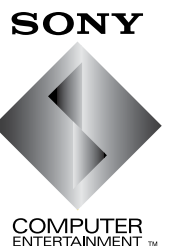


SCPH-50002, 50003, 50004

SCPH-50000 series

SERVICE MANUAL 2nd edition
for GH-023 BOARD
(H-chassis)

PlayStation®2



Sony Computer Entertainment Inc.
Customer Service Department
Published in Japan © 2003. 06 9-927-099-02

SAFETY CHECK-OUT

After correcting the original service problem, perform the following safety checks before releasing the set to the customer:

1. Check the area of your repair for unsoldered or poorly-sol-dered connections. Check the entire board surface for solder splashes and bridges.
2. Check the interboard wiring to ensure that no wires are "pinched" or contact high-wattage resistors.
3. Look for unauthorized replacement parts, particularly transistors, that were installed during a previous repair. Point them out to the customer and recommend their replacement.
4. Look for parts which, though functioning, show obvious signs of deterioration. Point them out to the customer and recommend their replacement.
5. Check the line cord for cracks and abrasion. Recommend the replacement of any such line cord to the customer.
6. Check the B+ voltage to see it is at the values specified.
7. Check the metal trim, "metallized" knobs, screws, and all other exposed metal parts for AC leakage. Check leakage as described below.

CAUTION:

The use of optical instrument with this product will increase eye hazard.

CAUTION

Use of controls or adjustments or performance of procedures other than those specified herein may result in hazardous radiation exposure.

WARNING!!

WHEN SERVICING, DO NOT APPROACH THE LASER EXIT WITH THE EYE TOO CLOSELY. IN CASE IT IS NECESSARY TO CONFIRM LASER BEAM EMISSION, BE SURE TO OBSERVE FROM A DISTANCE OF MORE THAN 25 cm FROM THE SERFACE OF THE OBJECTIVE LENS ON THE OPTICAL PICK-UP BLOCK.

LEAKAGE TEST

The AC leakage from any exposed metal part to earth ground and from all exposed metal parts to any exposed metal part having a return to chassis, must not exceed 0.5 mA (500 microampers.).

Leakage current can be measured by any one of three methods.

1. A commercial leakage tester, such as the Simpson 229 or RCA WT-540A. Follow the manufacturers' instructions to use these instruments.
2. A battery-operated AC milliammeter. The Data Precision 245 digital multimeter is suitable for this job.
3. Measuring the voltage drop across a resistor by means of a VOM or battery-operated AC voltmeter. The "limit" indication is 0.75 V, so analog meters must have an accurate low-voltage scale. The Simpson 250 and Sanwa SH-63Trd are examples of a passive VOM that is suitable. Nearly all battery operated digital multimeters that have a 2 V AC range are suitable. (See Fig. A)

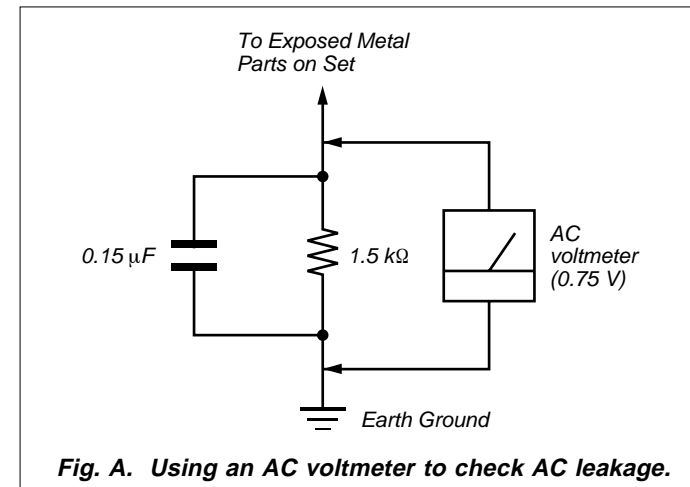


Fig. A. Using an AC voltmeter to check AC leakage.

SAFETY-RELATED COMPONENT WARNING!!

COMPONENTS IDENTIFIED BY MARK \triangle OR DOTTED LINE WITH MARK \triangle ON THE SCHEMATIC DIAGRAMS AND IN THE PARTS LIST ARE CRITICAL TO SAFE OPERATION. REPLACE THESE COMPONENTS WITH SONY PARTS WHOSE PART NUMBERS APPEAR AS SHOWN IN THIS MANUAL OR IN SUPPLEMENTS PUBLISHED BY SONY.

ATTENTION AU COMPOSANT AYANT RAPPORT À LA SÉCURITÉ!!

LES COMPOSANTS IDENTIFIÉS PAR UNE MARQUE \triangle SUR LES DIAGRAMMES SCHÉMATIQUES ET LA LISTE DES PIÈCES SONT CRITIQUES POUR LA SÉCURITÉ DE FONCTIONNEMENT. NE REMPLACER CES COMPOSANTS QUE PAR DES PIÈCES SONY DONT LES NUMÉROS SONT DONNÉS DANS CE MANUEL OU DANS LES SUPPLÉMENTS PUBLIÉS PAR SONY.

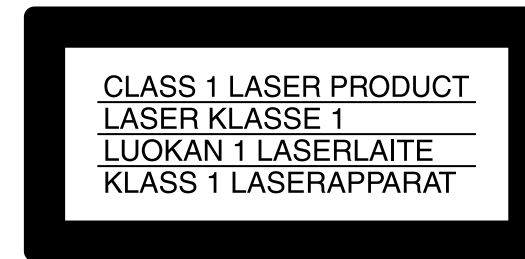
CAUTION

The use of optical instruments with this product will increase eye hazard. As the laser beam used in this CD/DVD ROM Drive is harmful to eyes, do not attempt disassemble the cabinet.

Refer servicing to qualified personnel only.



This label is located on the Laser protective housing inside the enclosure.



This appliance is classified as a CLASS 1 LASER product.

CAUTION

Danger of explosion if battery is incorrectly replaced. Replace only with the same or equivalent type recommended by the manufacturer.

Discard used batteries according to the manufacturer's instructions.

Use of controls or adjustment or performance of procedures other than those specified herein may result in hazardous radiation exposure.

Lithium Batteries

If an equipment is provided with a replaceable lithium battery, the following applies:

- if the battery is placed in an OPERATOR ACCESS AREA, there shall be a warning close to the battery or in both the operating and the service instructions:
- if the battery is placed elsewhere in the equipment, there shall be a warning close to the battery or in the service instructions.

TABLE OF CONTENTS

1. CIRCUIT DIAGRAM

1-1. GH-023 Board (1/8) 1-2
1-2. GH-023 Board (2/8) 1-3
1-3. GH-023 Board (3/8) 1-4
1-4. GH-023 Board (4/8) 1-5
1-5. GH-023 Board (5/8) 1-6
1-6. GH-023 Board (6/8) 1-7
1-7. GH-023 Board (7/8) 1-8
1-8. GH-023 Board (8/8) 1-9
1-9. SW-398 Board 1-10

2. PRINTED WIRING BOARDS

2-1. GH-023 Board (Side A) 2-1
2-2. GH-023 Board (Side B) 2-2
2-3. SW-398 Board 2-3

3. EXPLODED VIEWS

3-1. Cover Section 3-1
3-2. Boards Section 3-2
3-3. MD Block Section 3-3

4. ELECTRICAL PARTS LIST 4-1

SECTION 1
CIRCUIT DIAGRAM

Note on Schematic Diagram:

- All capacitors are in μF unless otherwise noted. pF: $\mu\mu\text{F}$
50 WV or less are not indicated except for electrolytics
and tantalums.
- All resistors are in Ω and $\frac{1}{4}W$ or less unless otherwise
specified.
- % : indicates tolerance.

Note:

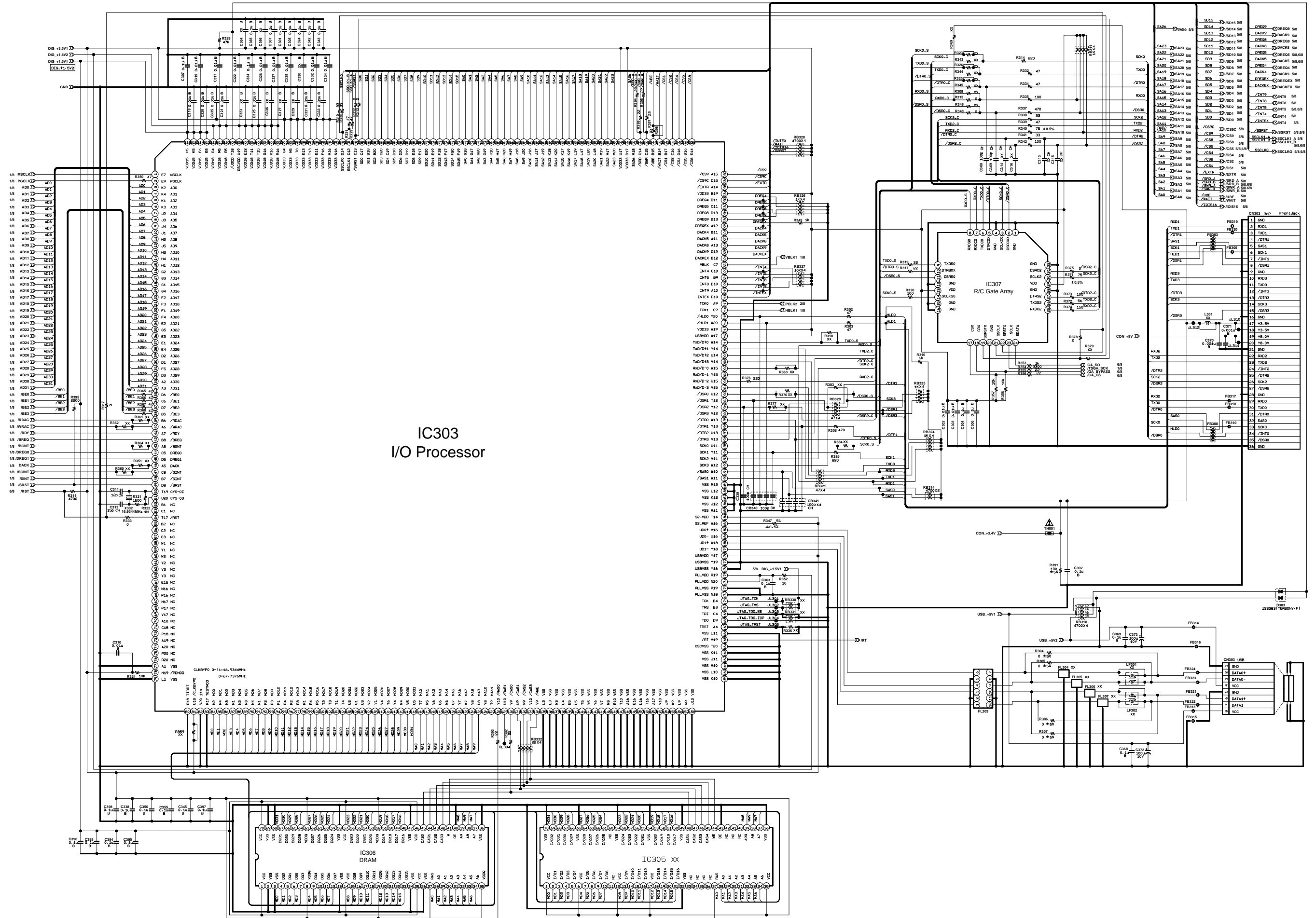
The components identi-
fied by mark \triangle or dotted
line with mark \triangle are criti-
cal for safety.
Replace only with part
number specified.

Note:

Les composants identifiés
par une marque \triangle sont cri-
tiques pour la sécurité.
Ne les remplacer que par
une pièce portant le
numéro spécifié.

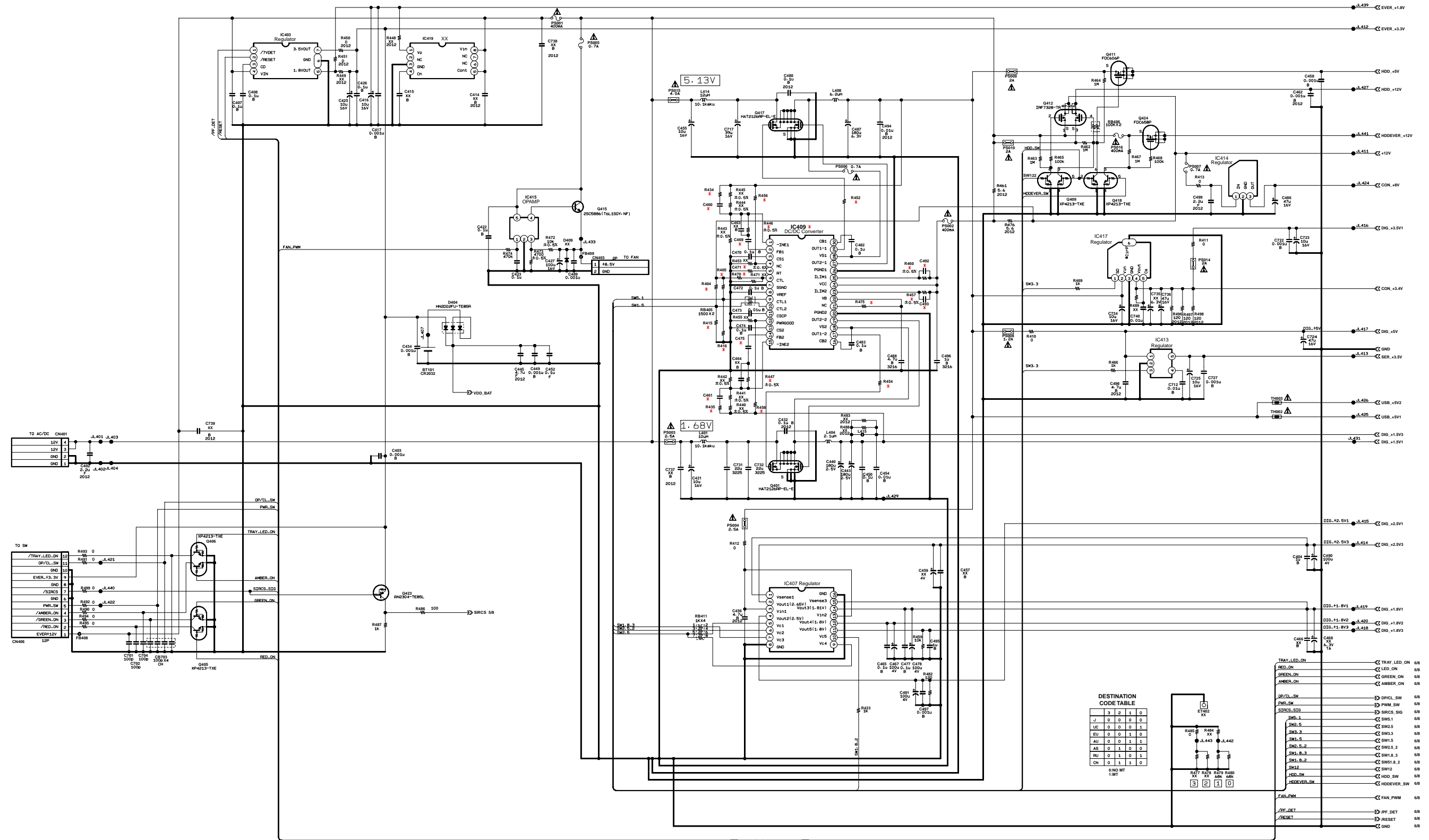
1-3. GH-023 BOARD (3/8)

GH-023 BOARD (3/8)



1-4. GH-023 BOARD (4/8)

GH-023 BOARD (4/8)



*:	IC409	R404	R405	R415	R416	R434	R435	R446	R447	R452	R454	R456	R457	R458	R460	R470	R475	C475	C492	C493	C460	C461	C469	C471
DD FJT,DD FJT/C ARRAY	MB39A109PFT	XX	XX	XX	XX	XX	XX	3300	470	0	0	0	2700	0	6800	0	XX	0.47u	XX	XX	XX	XX	0.47u	47k
DD TXI,DD TXI/C ARRAY	SN105250BTR	100K	100K	33K	33K	0	0	0	0	2.7	2.7	XX	10K	XX	47K	XX	0	470P	0.1u	0.1u	120P	B20P	220P	43P

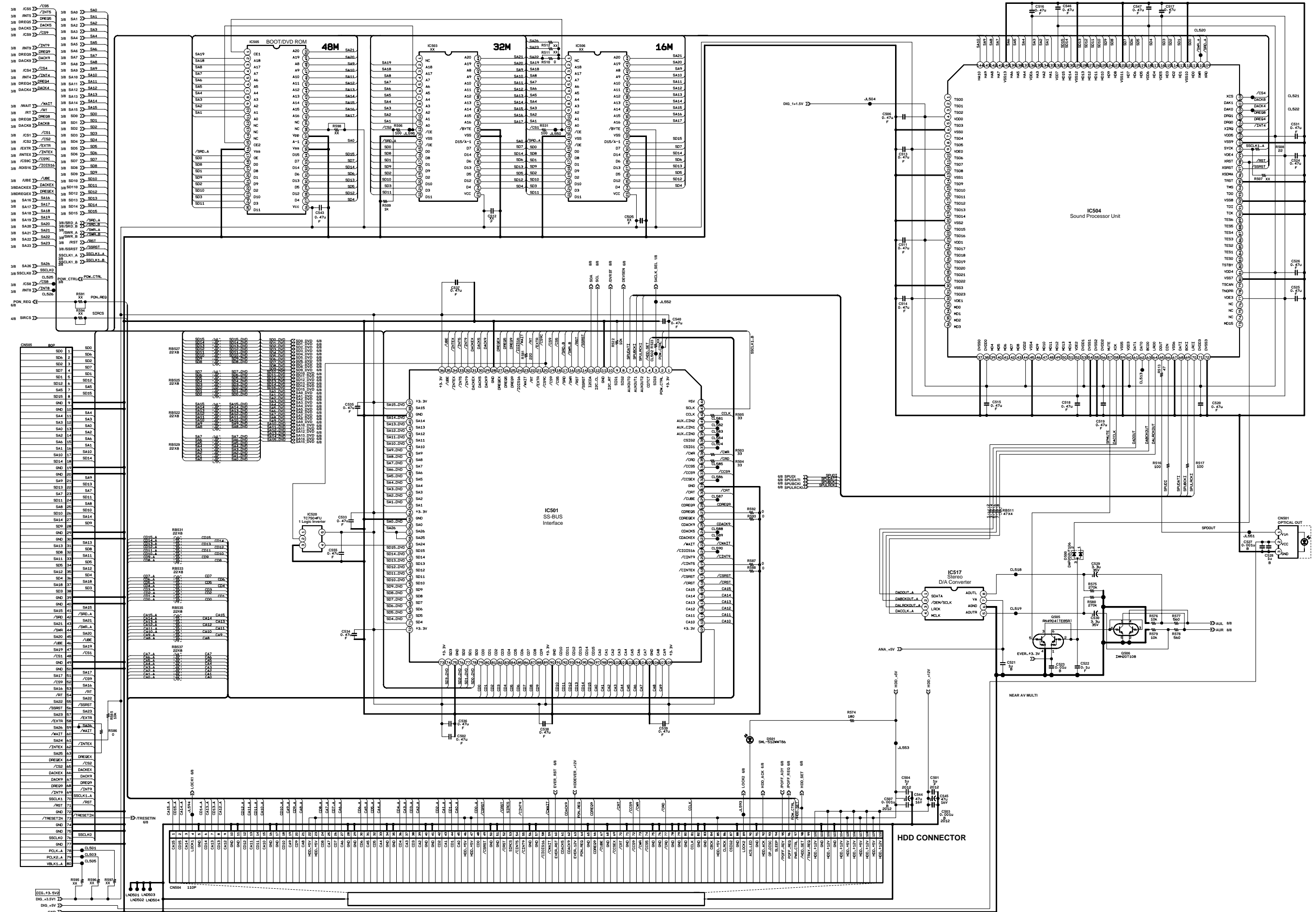
ICLINK PS001,002,013,016:FCC16 401 AD or TF16SN 0.40 or ERBFE0R40S
 PS003,004:CCP2E63
 PS005,006,007:FCC16 701 AD or TF16SN 0.70 or ERBFE0R70S
 PS008,012:CCP2E30 or ICP-S1.2
 PS009,010,011,014:CCP2E50 or ICP-S2.3
 PS015:CCP2E100 or FHC32 502 AD
 THERMISTOR TH001,002,003:miniSMDC100 or 1812L110PRT

DESTINATION CODE TABLE

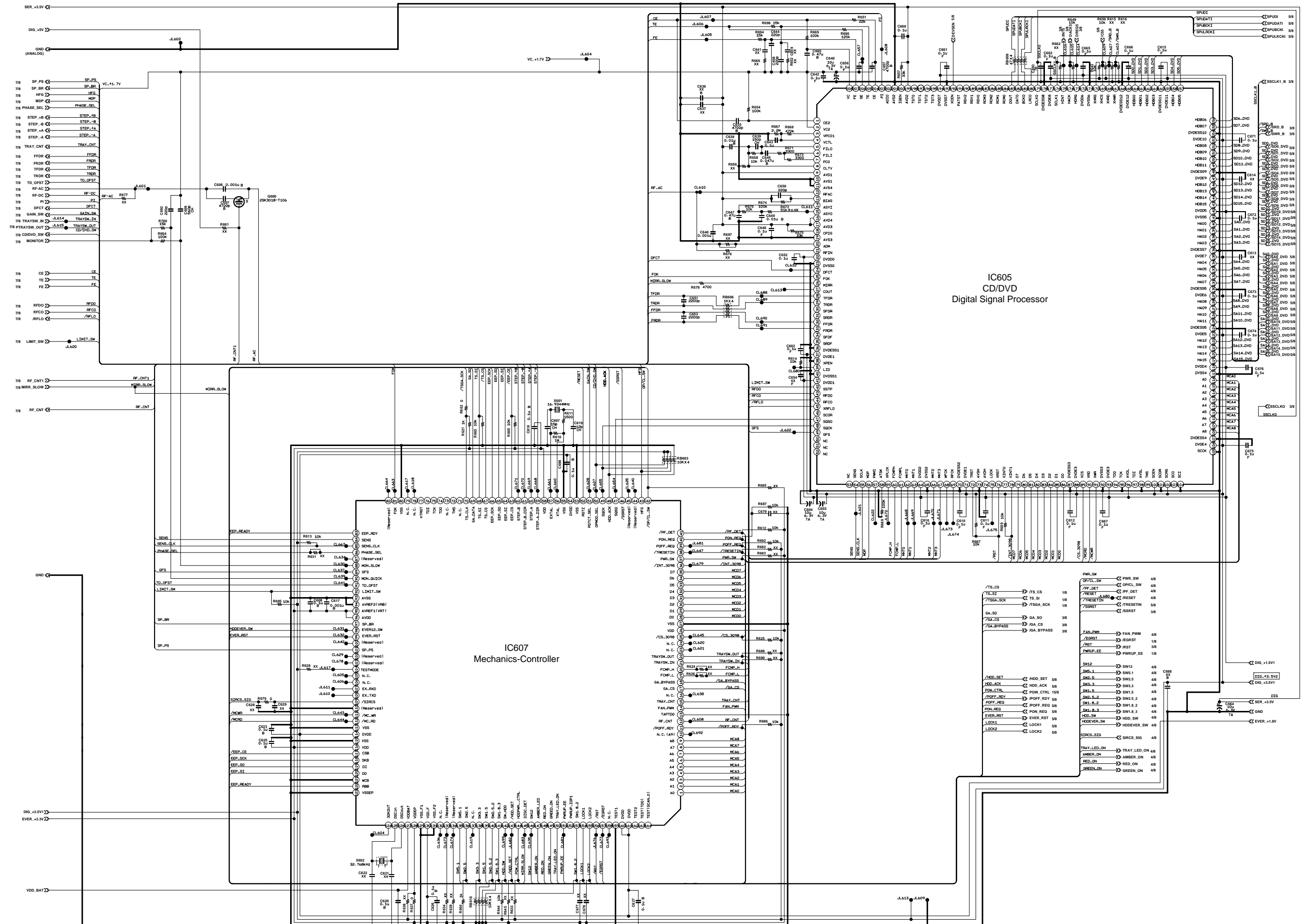
J	0	0	0	0	0
UC	0	0	0	1	1
EU	0	0	1	0	0
AU	0	0	1	1	1
AS	0	1	0	0	1
RJ	0	1	0	1	1
ON	0	1	1	1	0

1-5. GH-023 BOARD (5/8)

GH-023 BOARD (5/8)

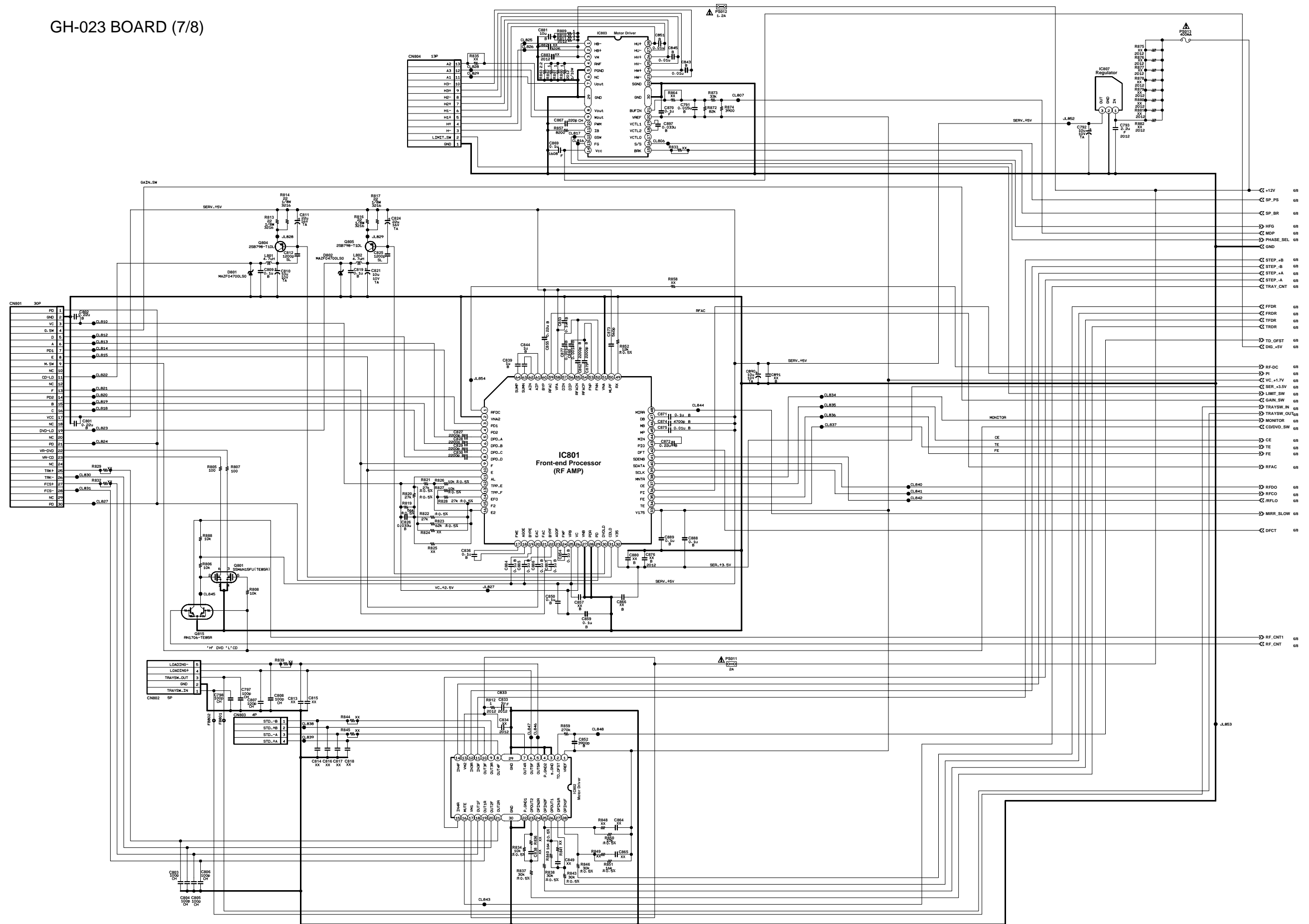


1-6. GH-023 BOARD (6/8)
GH-023 BOARD (6/8)



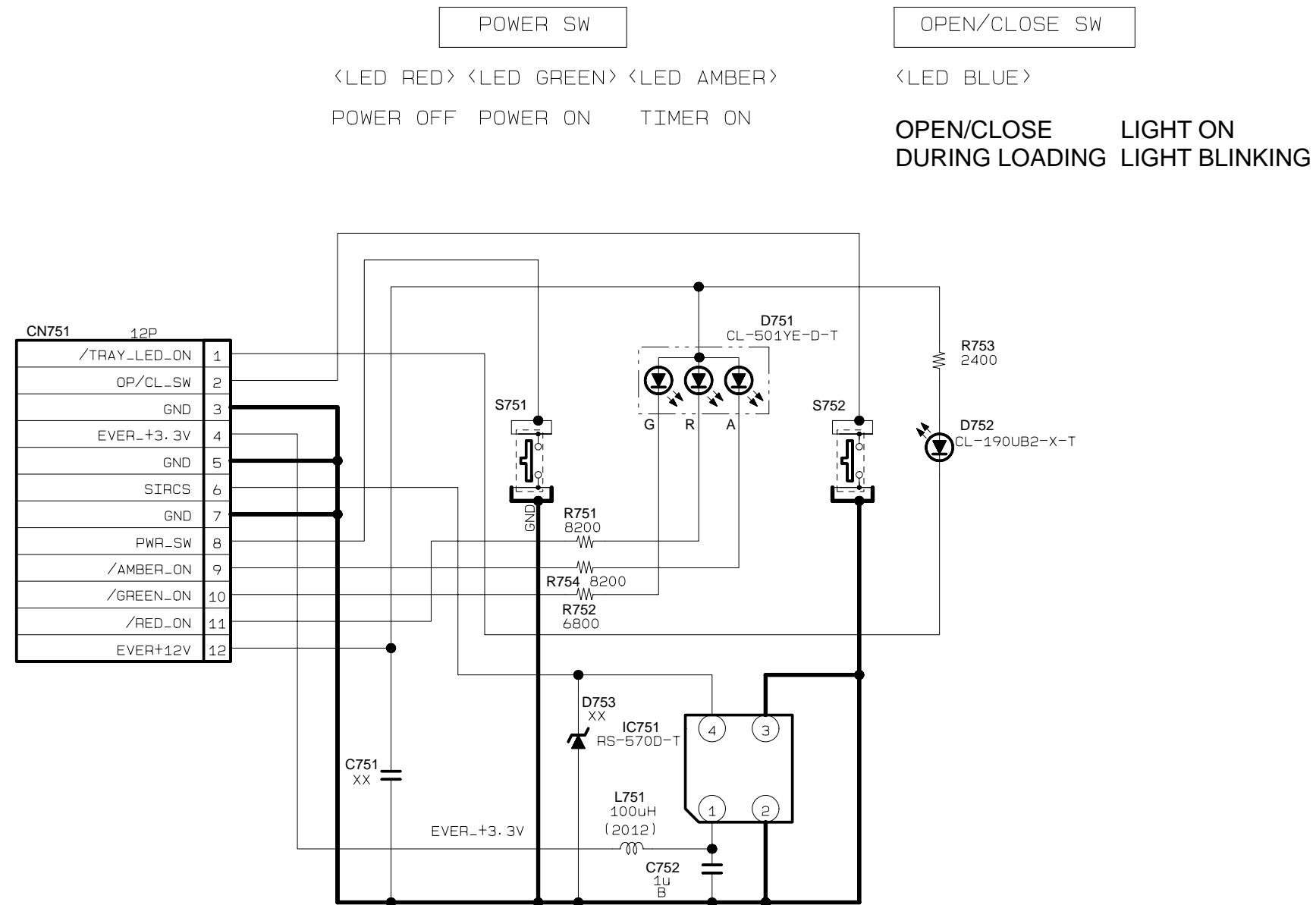
1-7. GH-023 BOARD (7/8)

GH-023 BOARD (7/8)



1-9. SW-398 BOARD

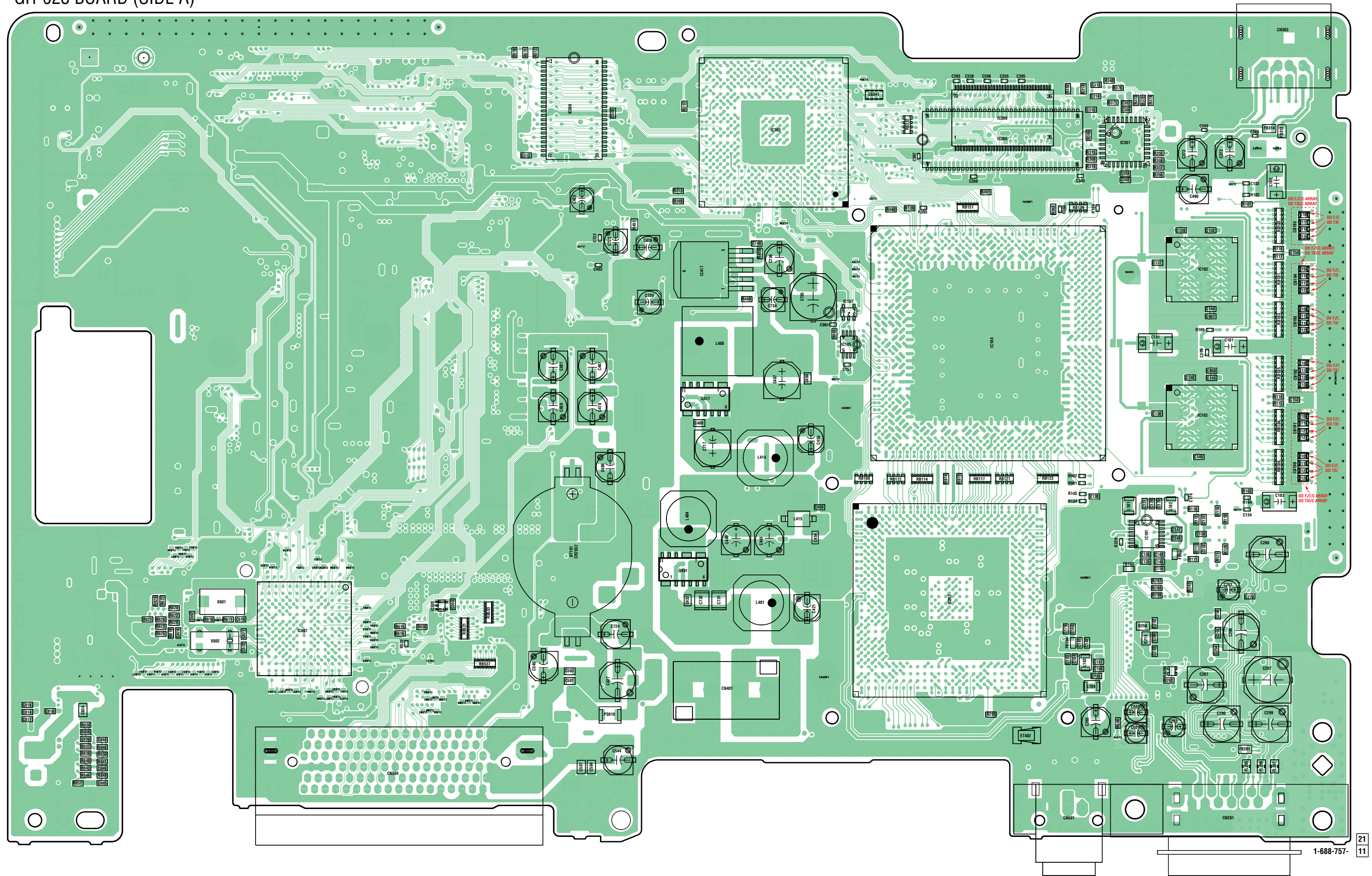
SW-398 BOARD



SECTION 2
PRINTED WIRING BOARDS

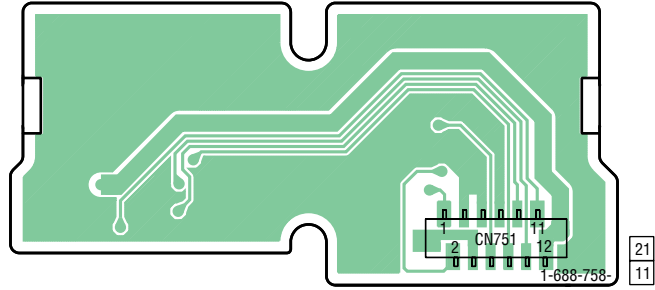
2-1. GH-023 BOARD (SIDE A)

GH-023 BOARD (SIDE A)

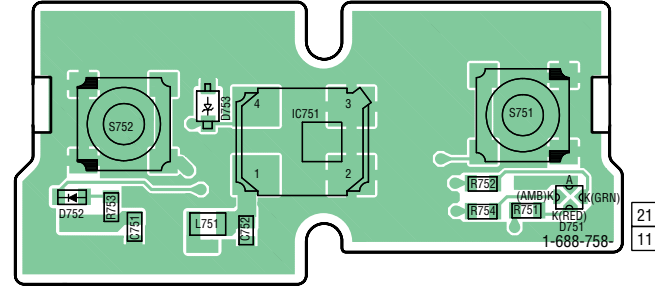


2-3. SW-398 BOARD


SW-398 BOARD (SIDE A)



SW-398 BOARD (SIDE B)



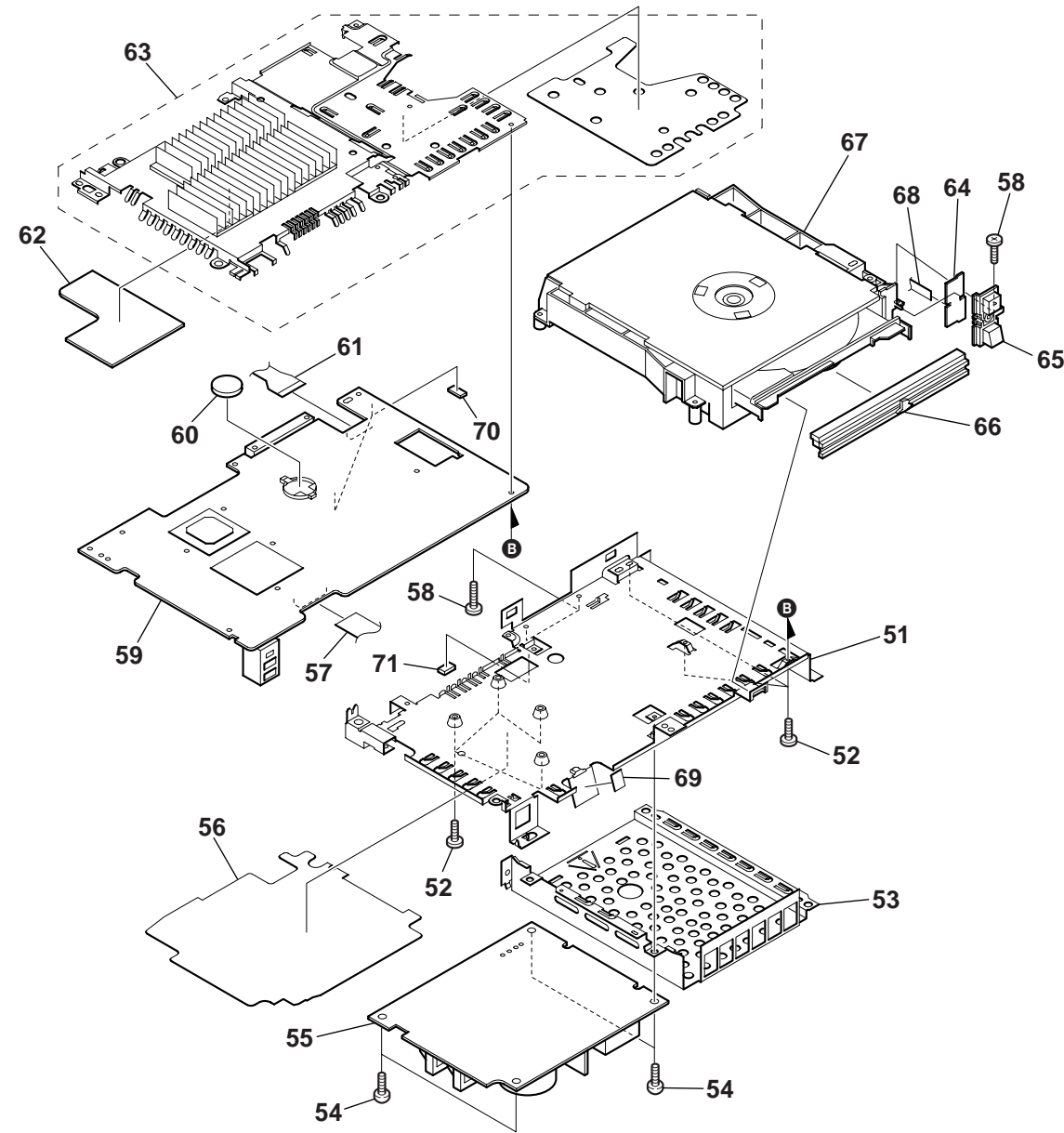
Note on Printed Wiring Boards:

- : Pattern from the side which enables seeing.
(The other layer's patterns are not indicated.)

Caution:

Pattern face side: Parts on the pattern face side seen
(Side B) from the pattern face are indicated.
Parts face side: Parts on the parts face side seen
(Side A) from the parts face are indicated.

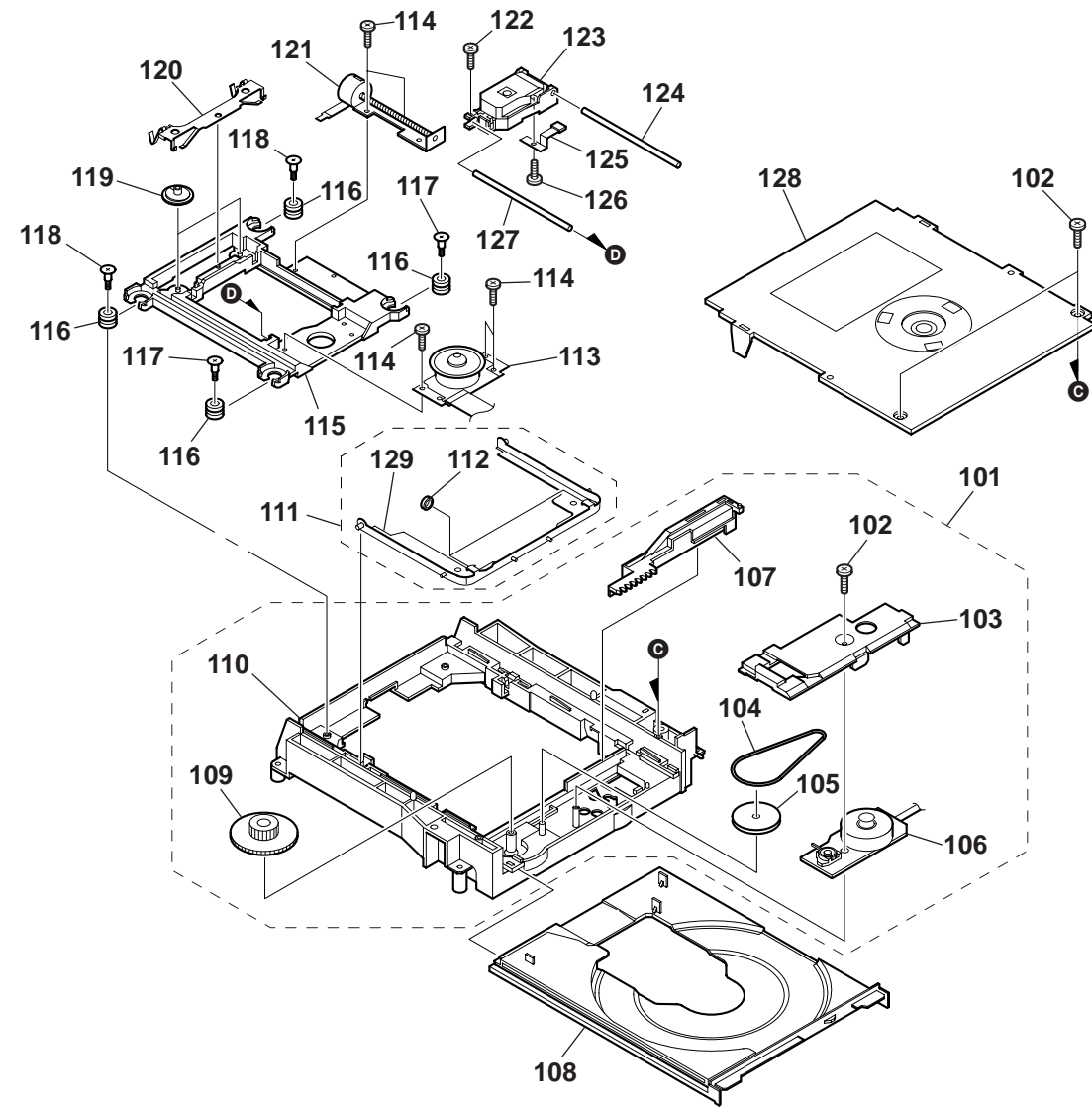
3-2. BOARDS SECTION



SC	Ref. No.	Part No.	Description	Remark	SC	Ref. No.	Part No.	Description	Remark
U	51	3-084-514-01	SHIELD (B) (H)		S	60	1-528-174-51	BATTERY, LITHIUM (CR2032 TYPE)	
S	52	3-074-552-01	O PLATE 2 MAIN 2X5 S TITE		S	61	1-680-370-23	FLEXIBLE BOARD	
U	53	3-084-513-01	SHIELD (HDD) (H)		S	62	3-080-293-01	SHEET (A), ELECTRIC HEAT	
S	54	3-074-553-01	TITE (CZN), M3X6 +BV S		U	63	X-3953-588-1	SHIELD (A) (H) ASSY	
S△	55	1-468-758-21	POWER BLOCK (SWITCHING REGULATOR)		S	64	A-6800-233-A	SW-398 BOARD, COMPLETE	
S	56	3-084-519-01	SHEET (H), INSULATING		S	65	3-084-509-01	BUTTON (H), SWITCH	
S	57	1-757-934-11	CABLE, FLEXIBLE FLAT (FFC-011)		S	66	X-3953-587-1	PLATE (H) ASSY, ORNAMENTAL	
S	58	3-084-520-01	SCREW (B2X6.5B), TAPPING		S	67	A-6800-396-A	MD BLOCK ASSY (50002F/50003F/50004F)	
S△	59	J-2504-233-A	GH-023 BOARD, COMPLETE (50002:DD FJT)		S	67	A-6800-397-A	MD BLOCK ASSY (50002A/50003A/50004A)	
S△	59	J-2504-234-A	GH-023 BOARD, COMPLETE (50002:DD TXI)		S	68	1-827-150-11	CABLE, FLEXIBLE FLAT (FFC-019)	
S△	59	J-2504-235-A	GH-023 BOARD, COMPLETE (50002:DD FJT/C ARRAY)		S	69	3-085-800-01	SHEET (H), FERRITE	
S△	59	J-2504-236-A	GH-023 BOARD, COMPLETE (50002:DD TXI/C ARRAY)		S	70	3-080-294-01	SHEET (DRIVER), ELECTRIC HEAT	
S△	59	J-2504-237-A	GH-023 BOARD, COMPLETE (50003:DD FJT)		S	71	3-074-560-01	TAPE, HARNESS STOPPER	
S△	59	J-2504-238-A	GH-023 BOARD, COMPLETE (50003:DD TXI)						
S△	59	J-2504-239-A	GH-023 BOARD, COMPLETE (50003:DD FJT/C ARRAY)						
S△	59	J-2504-240-A	GH-023 BOARD, COMPLETE (50003:DD TXI/C ARRAY)						
S△	59	J-2504-241-A	GH-023 BOARD, COMPLETE (50004:DD FJT)						
S△	59	J-2504-242-A	GH-023 BOARD, COMPLETE (50004:DD TXI)						
S△	59	J-2504-243-A	GH-023 BOARD, COMPLETE (50004:DD FJT/C ARRAY)						
S△	59	J-2504-244-A	GH-023 BOARD, COMPLETE (50004:DD TXI/C ARRAY)						

The components identified by mark △ or dotted line with mark △ are critical for safety. Replace only with part number specified.	Les composants identifiés par une marque △ sont critiques pour la sécurité. Ne les remplacer que par une pièce portant le numéro spécifié.
--	--

3-3. MD BLOCK SECTION



SC	Ref. No.	Part No.	Description	Remark	SC	Ref. No.	Part No.	Description	Remark
S	101	X-3953-590-1	FRAME (H) ASSY, MAIN		S	116	3-081-830-01	INSULATOR	
S	102	3-060-400-01	TAPPING (B2X6.5)		S	117	3-068-075-02	SCREW (SUB), STEP	
S	103	3-084-528-01	COVER (H), GEAR		S	118	3-065-276-01	SCREW, STEP	
S	104	3-065-505-02	BELT, RUBBER		S	119	3-084-532-01	CAM (TM), TILT	
S	105	3-059-856-01	PULLEY		S	120	3-084-533-01	SPRING (TILT), LEAF	
S	106	1-763-782-21	MOTOR, DC (LO UNIT)		S	121	1-763-889-12	MOTOR, DC (SLED)	
S	107	3-084-527-01	CAM (H), SLIDE		S	122	3-060-399-01	SCREW, SKEW	
S	108	3-084-522-01	TRAY (H)		S Δ	123	8-820-151-18	DEVICE, OPTICAL KHS-400C	
S	109	3-084-526-01	GEAR (H), DRIVING		S	124	3-084-530-01	SHAFT (H), MAIN	
S	110	3-084-525-01	FRAME (H), MAIN		S	125	3-081-825-01	RACK	
S	111	X-3953-591-1	FRAME ASSY, SUB		S	126	3-082-653-01	0 PART-NO. 3 MAIN M2X3	
S	112	3-068-074-01	CUSHION (FRAME)		S	127	3-084-531-01	SHAFT (H), SUB	
S	113	1-763-700-31	MOTOR, DC (SPINDLE)		S	128	X-3953-589-1	BRACKET (H) ASSY, PULLEY	
S	114	3-081-829-01	SCREW (P2X3.7)		S	129	3-074-255-11	FRAME, SUB	
S	115	3-084-529-01	CHASSIS						

<p>The components identified by mark Δ or dotted line with mark Δ are critical for safety. Replace only with part number specified.</p>	<p>Les composants identifiés par une marque Δ sont critiques pour la sécurité. Ne les remplacer que par une pièce portant le numéro spécifié.</p>
---	---

SECTION 4
ELECTRICAL PARTS LIST

NOTE:

- Due to standardization, replacements in the parts list may be different from the parts specified in the diagrams or the components used on the set.
- RESISTORS
METAL: Metal-film resistor.
F: nonflammable
- SEMICONDUCTORS
In each case, u : μ , for example:
uA.. : μ A.. uPA.. : μ PA..
uPB.. : μ PB.. uPC.. : μ PC.. uPD.. : μ PD..

- CAPACITORS
uF : μ F
- COILS
uH : μ H

When indicating parts by reference number, please include the board.

NOTE:

- SC Classification:
S : Supplied parts
U : Unsupplied parts

The components identified by mark Δ or dotted line with mark Δ are critical for safety. Replace only with part number specified.

Les composants identifiés par une marque Δ sont critiques pour la sécurité. Ne les remplacer que par une pièce portant le numéro spécifié.

SC	Ref. No.	Part No.	Description	Remark	SC	Ref. No.	Part No.	Description	Remark	SC	Ref. No.	Part No.	Description	Remark
S Δ		J-2504-233-A	GH-023 BOARD, COMPLETE (50002:DD FJT)		U	C114	1-107-826-11	CERAMIC CHIP 0.1uF 10% 16V		U	C233	1-107-826-11	CERAMIC CHIP 0.1uF 10% 16V	
S Δ		J-2504-234-A	GH-023 BOARD, COMPLETE (50002:DD TXI)					(DD FJT,DD TXI)		U	C234	1-107-826-11	CERAMIC CHIP 0.1uF 10% 16V	
S Δ		J-2504-235-A	GH-023 BOARD, COMPLETE (50002:DD FJT/C ARRAY)		U	C115	1-107-826-11	CERAMIC CHIP 0.1uF 10% 16V		U	C235	1-107-826-11	CERAMIC CHIP 0.1uF 10% 16V	
S Δ		J-2504-236-A	GH-023 BOARD, COMPLETE (50002:DD TXI/C ARRAY)		U	C116	1-107-826-11	CERAMIC CHIP 0.1uF 10% 16V		U	C237	1-107-826-11	CERAMIC CHIP 0.1uF 10% 16V	
S Δ		J-2504-237-A	GH-023 BOARD, COMPLETE (50003:DD FJT)		U	C117	1-107-826-11	CERAMIC CHIP 0.1uF 10% 16V		U	C238	1-107-826-11	CERAMIC CHIP 0.1uF 10% 16V	
S Δ		J-2504-238-A	GH-023 BOARD, COMPLETE (50003:DD TXI)					(DD FJT,DD TXI)		U	C239	1-107-826-11	CERAMIC CHIP 0.1uF 10% 16V	
S Δ		J-2504-239-A	GH-023 BOARD, COMPLETE (50003:DD FJT/C ARRAY)		U	C118	1-107-826-11	CERAMIC CHIP 0.1uF 10% 16V		U	C240	1-107-826-11	CERAMIC CHIP 0.1uF 10% 16V	
S Δ		J-2504-240-A	GH-023 BOARD, COMPLETE (50003:DD TXI/C ARRAY)		U	C119	1-107-826-11	CERAMIC CHIP 0.1uF 10% 16V		U	C241	1-107-826-11	CERAMIC CHIP 0.1uF 10% 16V	
S Δ		J-2504-241-A	GH-023 BOARD, COMPLETE (50004:DD FJT)		U	C120	1-107-826-11	CERAMIC CHIP 0.1uF 10% 16V		U	C242	1-135-609-91	TANTAL. CHIP 220uF 20% 6.3V	
S Δ		J-2504-242-A	GH-023 BOARD, COMPLETE (50004:DD TXI)		U	C121	1-107-826-11	CERAMIC CHIP 0.1uF 10% 16V		U	C244	1-135-609-91	TANTAL. CHIP 220uF 20% 6.3V	
S Δ		J-2504-243-A	GH-023 BOARD, COMPLETE (50004:DD FJT/C ARRAY)		U	C122	1-107-826-11	CERAMIC CHIP 0.1uF 10% 16V		U	C245	1-135-609-91	TANTAL. CHIP 220uF 20% 6.3V	
S Δ		J-2504-244-A	GH-023 BOARD, COMPLETE (50004:DD TXI/C ARRAY)		U	C123	1-107-826-11	CERAMIC CHIP 0.1uF 10% 16V		U	C246	1-135-609-91	TANTAL. CHIP 220uF 20% 6.3V	
			*****							U	C247	1-107-826-11	CERAMIC CHIP 0.1uF 10% 16V	
			< BATTERY HOLDER >		U	C124	1-107-826-11	CERAMIC CHIP 0.1uF 10% 16V		U	C248	1-107-826-11	CERAMIC CHIP 0.1uF 10% 16V	
S	BT101	1-756-076-21	HOLDER, LITHIUM BATTERY (CR2032 TYPE)		U	C125	1-107-826-11	CERAMIC CHIP 0.1uF 10% 16V		U	C249	1-115-156-11	CERAMIC CHIP 1uF 10V	
			< CAPACITOR >		U	C126	1-107-826-11	CERAMIC CHIP 0.1uF 10% 16V		U	C254	1-107-826-11	CERAMIC CHIP 0.1uF 10% 16V	
U	C101	1-111-253-11	TANTAL. CHIP 100uF 20% 6.3V		U	C127	1-107-826-11	CERAMIC CHIP 0.1uF 10% 16V		U	C255	1-107-826-11	CERAMIC CHIP 0.1uF 10% 16V	
U	C102	1-111-253-11	TANTAL. CHIP 100uF 20% 6.3V		U	C128	1-107-826-11	CERAMIC CHIP 0.1uF 10% 16V		U	C256	1-107-826-11	CERAMIC CHIP 0.1uF 10% 16V	
U	C103	1-111-253-11	TANTAL. CHIP 100uF 20% 6.3V		U	C129	1-107-826-11	CERAMIC CHIP 0.1uF 10% 16V		U	C257	1-125-837-91	CERAMIC CHIP 1uF 10% 6.3V	
U	C104	1-107-826-11	CERAMIC CHIP 0.1uF 10% 16V		U	C130	1-162-964-11	CERAMIC CHIP 0.001uF 10% 50V		U	C261	1-128-004-11	ELECT CHIP 10uF 20% 16V	
U	C105	1-107-826-11	CERAMIC CHIP 0.1uF 10% 16V		U	C131	1-162-964-11	CERAMIC CHIP 0.001uF 10% 50V		U	C263	1-128-004-11	ELECT CHIP 10uF 20% 16V	
U	C106	1-107-826-11	CERAMIC CHIP 0.1uF 10% 16V		U	C132	1-125-777-11	CERAMIC CHIP 0.1uF 10% 10V		U	C264	1-107-826-11	CERAMIC CHIP 0.1uF 10% 16V	
U	C107	1-107-826-11	CERAMIC CHIP 0.1uF 10% 16V		U	C133	1-125-777-11	CERAMIC CHIP 0.1uF 10% 10V		U	C266	1-107-826-11	CERAMIC CHIP 0.1uF 10% 16V	
U	C108	1-107-826-11	CERAMIC CHIP 0.1uF 10% 16V		U	C134	1-125-777-11	CERAMIC CHIP 0.1uF 10% 10V		U	C267	1-126-246-11	ELECT CHIP 220uF 20% 4V	
U	C109	1-107-826-11	CERAMIC CHIP 0.1uF 10% 16V		U	C135	1-107-826-11	CERAMIC CHIP 0.1uF 10% 16V		U	C268	1-126-246-11	ELECT CHIP 220uF 20% 4V	
U	C110	1-107-826-11	CERAMIC CHIP 0.1uF 10% 16V		U	C136	1-162-964-11	CERAMIC CHIP 0.001uF 10% 50V		U	C269	1-125-838-11	CERAMIC CHIP 2.2uF 10% 6.3V	
U	C111	1-107-826-11	CERAMIC CHIP 0.1uF 10% 16V		U	C137	1-107-826-11	CERAMIC CHIP 0.1uF 10% 16V		U	C270	1-107-826-11	CERAMIC CHIP 0.1uF 10% 16V	
U	C112	1-107-826-11	CERAMIC CHIP 0.1uF 10% 16V		U	C138	1-107-826-11	CERAMIC CHIP 0.1uF 10% 16V		U	C271	1-107-826-11	CERAMIC CHIP 0.1uF 10% 16V	
U	C113	1-107-826-11	CERAMIC CHIP 0.1uF 10% 16V		U	C139	1-107-826-11	CERAMIC CHIP 0.1uF 10% 16V		U	C275	1-162-962-11	CERAMIC CHIP 470PF 10% 50V	
					U	C140	1-107-826-11	CERAMIC CHIP 0.1uF 10% 16V		U	C276	1-162-965-11	CERAMIC CHIP 0.0015uF 10% 50V	
					U	C141	1-111-253-11	TANTAL. CHIP 100uF 20% 6.3V		U	C277	1-162-965-11	CERAMIC CHIP 0.0015uF 10% 50V	
					U	C142	1-107-826-11	CERAMIC CHIP 0.1uF 10% 16V		U	C278	1-107-826-11	CERAMIC CHIP 0.1uF 10% 16V	
					U	C143	1-107-826-11	CERAMIC CHIP 0.1uF 10% 16V		U	C279	1-107-826-11	CERAMIC CHIP 0.1uF 10% 16V	
					U	C144	1-107-826-11	CERAMIC CHIP 0.1uF 10% 16V		U	C280	1-107-826-11	CERAMIC CHIP 0.1uF 10% 16V	
					U	C145	1-107-826-11	CERAMIC CHIP 0.1uF 10% 16V		U	C281	1-107-826-11	CERAMIC CHIP 0.1uF 10% 16V	
					U	C146	1-162-964-11	CERAMIC CHIP 0.001uF 10% 50V		U	C282	1-107-826-11	CERAMIC CHIP 0.1uF 10% 16V	
					U	C147	1-162-964-11	CERAMIC CHIP 0.001uF 10% 50V		U	C283	1-107-826-11	CERAMIC CHIP 0.1uF 10% 16V	
					U	C148	1-107-826-11	CERAMIC CHIP 0.1uF 10% 16V		U	C284	1-107-826-11	CERAMIC CHIP 0.1uF 10% 16V	
					U	C149	1-107-826-11	CERAMIC CHIP 0.1uF 10% 16V		U	C285	1-107-826-11	CERAMIC CHIP 0.1uF 10% 16V	
					U	C150	1-162-970-11	CERAMIC CHIP 0.01uF 10% 25V		U	C286	1-107-826-11	CERAMIC CHIP 0.1uF 10% 16V	
					U	C151	1-164-160-11	CERAMIC CHIP 20PF 5% 50V		U	C287	1-107-826-11	CERAMIC CHIP 0.1uF 10% 16V	
					U	C152	1-164-160-11	CERAMIC CHIP 20PF 5% 50V		U	C288	1-107-826-11	CERAMIC CHIP 0.1uF 10% 16V	
					U	C153	1-162-970-11	CERAMIC CHIP 0.01uF 10% 25V		U	C289	1-162-964-11	CERAMIC CHIP 0.001uF 10% 50V	
					U	C154	1-162-970-11	CERAMIC CHIP 0.01uF 10% 25V		U	C290	1-113-619-11	CERAMIC CHIP 0.47uF 10V	
					U	C155	1-107-826-11	CERAMIC CHIP 0.1uF 10% 16V		U	C292	1-107-826-11	CERAMIC CHIP 0.1uF 10% 16V	
					U	C156	1-107-826-11	CERAMIC CHIP 0.1uF 10% 16V		U	C293	1-137-765-21	ELECT CHIP 47uF 20% 16V	
					U	C158	1-162-970-11	CERAMIC CHIP 0.01uF 10% 25V		U	C296	1-126-246-11	ELECT CHIP 220uF 20% 4V	
					U	C159	1-107-826-11	CERAMIC CHIP 0.1uF 10% 16V		U	C297	1-100-583-21	ELECT CHIP 470uF 20% 4V	
					U	C160	1-162-925-11	CERAMIC CHIP 68PF 5% 50V		U	C298	1-126-246-11	ELECT CHIP 220uF 20% 4V	
					U	C161	1-111-253-11	TANTAL. CHIP 100uF 20% 6.3V		U	C301	1-107-826-11	CERAMIC CHIP 0.1uF 10% 16V	
					U	C162	1-162-925-11	CERAMIC CHIP 68PF 5% 50V		U	C302	1-162-970-11	CERAMIC CHIP 0.01uF 10% 25V	
					U	C163	1-111-253-11	TANTAL. CHIP 100uF 20% 6.3V		U	C303	1-162-970-11	CERAMIC CHIP 0.01uF 10% 25V	
					U	C164	1-111-253-11	TANTAL. CHIP 100uF 20% 6.3V		U	C304	1-107-826-11	CERAMIC CHIP 0.1uF 10% 16V	
					U	C168	1-162-964-11	CERAMIC CHIP 0.001uF 10% 50V		U	C305	1-107-826-11	CERAMIC CHIP 0.1uF 10% 16V	
					U	C170	1-125-837-91	CERAMIC CHIP 1uF 10% 6.3V		U	C306	1-107-826-11	CERAMIC CHIP 0.1uF 10% 16V	
					U	C175	1-125-777-11	CERAMIC CHIP 0.1uF 10% 10V		U	C307	1-107-826-11	CERAMIC CHIP 0.1uF 10% 16V	
					U	C176	1-125-777-11	CERAMIC CHIP 0.1uF 10% 10V		U	C308	1-162-927-11	CERAMIC CHIP 100PF 5% 50V	
					U	C177	1-216-861-11	METAL CHIP 2.2M 5% 1/10W		U	C309	1-162-927-11	CERAMIC CHIP 100PF 5% 50V	
					U	C179	1-107-826-11	CERAMIC CHIP 0.1uF 10% 16V						
					U	C180	1-162-964-11	CERAMIC CHIP 0.001uF 10% 50V						
					U	C181	1-107-826-11	CERAMIC CHIP 0.1uF 10% 16V						
					U	C182	1-162-964-11	CERAMIC CHIP 0.001uF 10% 50V						
					U	C183	1-107-826-11	CERAMIC CHIP 0.1uF 10% 16V						
					U	C184	1-162-964-11	CERAMIC CHIP 0.001uF 10% 50V						
					U	C185	1-125-837-91	CERAMIC CHIP 1uF 10% 6.3V						
					U	C186	1-107-826-11	CERAMIC CHIP 0.1uF 10% 16V						
					U	C187	1-162-970-11	CERAMIC CHIP 0.01uF 10% 25V						
					U	C188	1-162-964-11	CERAMIC CHIP 0.001uF 10% 50V						
					U	C189	1-107-826-11	CERAMIC CHIP 0.1uF 10% 16V						
					U	C212	1-107-826-11							

SC	Ref. No.	Part No.	Description	Remark	SC	Ref. No.	Part No.	Description	Remark	SC	Ref. No.	Part No.	Description	Remark	SC	Ref. No.	Part No.	Description	Remark	
U	C310	1-162-970-11	CERAMIC CHIP	0.01uF	10%	25V	U	C449	1-162-964-11	CERAMIC CHIP	0.001uF	10%	50V	U	C515	1-113-619-11	CERAMIC CHIP	0.47uF	10V	
U	C311	1-162-916-11	CERAMIC CHIP	12PF	5%	50V	U	C450	1-107-826-11	CERAMIC CHIP	0.1uF	10%	16V	U	C516	1-113-619-11	CERAMIC CHIP	0.47uF	10V	
U	C312	1-162-917-11	CERAMIC CHIP	15PF	5%	50V	U	C452	1-164-156-11	CERAMIC CHIP	0.1uF		25V	U	C517	1-113-619-11	CERAMIC CHIP	0.47uF	10V	
U	C317	1-162-970-11	CERAMIC CHIP	0.01uF	10%	25V	U	C454	1-162-970-11	CERAMIC CHIP	0.01uF	10%	25V	U	C518	1-113-619-11	CERAMIC CHIP	0.47uF	10V	
U	C318	1-162-970-11	CERAMIC CHIP	0.01uF	10%	25V	U	C455	1-124-779-00	ELECT CHIP	10uF	20%	16V	U	C519	1-113-619-11	CERAMIC CHIP	0.47uF	10V	
U	C319	1-162-970-11	CERAMIC CHIP	0.01uF	10%	25V	U	C456	1-127-760-11	CERAMIC CHIP	4.7uF	10%	6.3V	U	C520	1-113-619-11	CERAMIC CHIP	0.47uF	10V	
U	C320	1-162-970-11	CERAMIC CHIP	0.01uF	10%	25V	U	C458	1-162-964-11	CERAMIC CHIP	0.001uF	10%	50V	U	C521	1-125-837-91	CERAMIC CHIP	1uF	10%	6.3V
U	C321	1-162-970-11	CERAMIC CHIP	0.01uF	10%	25V	U	C460	1-162-928-11	CERAMIC CHIP	120PF	5%	50V	U	C522	1-164-156-11	CERAMIC CHIP	0.1uF	25V	
U	C322	1-162-970-11	CERAMIC CHIP	0.01uF	10%	25V	U	C461	1-164-733-11	CERAMIC CHIP	(DD TXI,DD TXI/C ARRAY) 820PF	10%	50V	U	C523	1-162-970-11	CERAMIC CHIP	0.01uF	10%	25V
U	C324	1-107-826-11	CERAMIC CHIP	0.1uF	10%	16V	U	C462	1-163-009-91	CERAMIC CHIP	(DD TXI,DD TXI/C ARRAY) 0.001uF	10%	50V	U	C524	1-113-619-11	CERAMIC CHIP	0.47uF	10V	
U	C325	1-162-970-11	CERAMIC CHIP	0.01uF	10%	25V	U	C465	1-107-826-11	CERAMIC CHIP	0.1uF	10%	16V	U	C525	1-113-619-11	CERAMIC CHIP	0.47uF	10V	
U	C326	1-162-970-11	CERAMIC CHIP	0.01uF	10%	25V	U	C466	1-126-209-11	ELECT CHIP	100uF	20%	4V	U	C526	1-113-619-11	CERAMIC CHIP	0.47uF	10V	
U	C328	1-162-970-11	CERAMIC CHIP	0.01uF	10%	25V	U	C467	1-117-863-11	CERAMIC CHIP	0.47uF	10%	6.3V	U	C527	1-162-964-11	CERAMIC CHIP	0.001uF	10%	50V
U	C331	1-162-970-11	CERAMIC CHIP	0.01uF	10%	25V	U	C469	1-164-230-11	CERAMIC CHIP	(DD FJT,DD FJT/C ARRAY) 220PF	5%	50V	U	C528	1-125-837-91	CERAMIC CHIP	1uF	10%	6.3V
U	C332	1-162-970-11	CERAMIC CHIP	0.01uF	10%	25V	U	C470	1-107-826-11	CERAMIC CHIP	(DD TXI,DD TXI/C ARRAY) 0.1uF	10%	16V	U	C529	1-128-008-11	ELECT CHIP	3.3uF	20%	35V
U	C333	1-162-970-11	CERAMIC CHIP	0.01uF	10%	25V	U	C471	1-164-379-11	CERAMIC CHIP	(DD TXI,DD TXI/C ARRAY) 43PF	5%	50V	U	C530	1-128-008-11	ELECT CHIP	3.3uF	20%	35V
U	C334	1-162-970-11	CERAMIC CHIP	0.01uF	10%	25V	U	C471	1-218-887-11	METAL CHIP	(DD TXI,DD TXI/C ARRAY) 47K	0.5%	1/10W	U	C531	1-113-619-11	CERAMIC CHIP	0.47uF	10V	
U	C335	1-162-970-11	CERAMIC CHIP	0.01uF	10%	25V	U	C472	1-107-826-11	CERAMIC CHIP	(DD FJT,DD FJT/C ARRAY) 0.1uF	10%	16V	U	C533	1-113-619-11	CERAMIC CHIP	0.47uF	10V	
U	C337	1-162-970-11	CERAMIC CHIP	0.01uF	10%	25V	U	C473	1-162-970-11	CERAMIC CHIP	0.01uF	10%	25V	U	C534	1-113-619-11	CERAMIC CHIP	0.47uF	10V	
U	C338	1-125-777-11	CERAMIC CHIP	0.1uF	10%	10V	U	C474	1-107-826-11	CERAMIC CHIP	0.1uF	10%	16V	U	C535	1-113-619-11	CERAMIC CHIP	0.47uF	10V	
U	C339	1-162-927-11	CERAMIC CHIP	100PF	5%	50V	U	C475	1-117-863-11	CERAMIC CHIP	0.47uF	10%	6.3V	U	C536	1-113-619-11	CERAMIC CHIP	0.47uF	10V	
U	C342	1-107-826-11	CERAMIC CHIP	0.1uF	10%	16V	U	C475	1-164-315-11	CERAMIC CHIP	(DD FJT,DD FJT/C ARRAY) 470PF	5%	50V	U	C537	1-113-619-11	CERAMIC CHIP	0.47uF	10V	
U	C343	1-107-826-11	CERAMIC CHIP	0.1uF	10%	16V	U	C477	1-107-826-11	CERAMIC CHIP	(DD TXI,DD TXI/C ARRAY) 0.1uF	10%	16V	U	C538	1-113-619-11	CERAMIC CHIP	0.47uF	10V	
U	C344	1-107-826-11	CERAMIC CHIP	0.1uF	10%	16V	U	C478	1-126-209-11	ELECT CHIP	100uF	20%	4V	U	C539	1-113-619-11	CERAMIC CHIP	0.47uF	10V	
U	C355	1-125-777-11	CERAMIC CHIP	0.1uF	10%	10V	U	C480	1-107-725-11	CERAMIC CHIP	0.1uF	10%	16V	U	C540	1-113-619-11	CERAMIC CHIP	0.47uF	10V	
U	C356	1-107-826-11	CERAMIC CHIP	0.1uF	10%	16V	U	C482	1-107-826-11	CERAMIC CHIP	0.1uF	10%	16V	U	C543	1-113-619-11	CERAMIC CHIP	0.47uF	10V	
U	C363	1-107-826-11	CERAMIC CHIP	0.1uF	10%	16V	U	C483	1-107-826-11	CERAMIC CHIP	0.1uF	10%	16V	U	C544	1-137-765-21	ELECT CHIP	47uF	20%	16V
U	C365	1-107-826-11	CERAMIC CHIP	0.1uF	10%	16V	U	C486	1-137-765-21	ELECT CHIP	47uF	20%	16V	U	C545	1-137-765-21	ELECT CHIP	47uF	20%	16V
U	C367	1-107-826-11	CERAMIC CHIP	0.1uF	10%	16V	U	C487	1-100-390-21	ELECT CHIP	180uF	20%	6.3V	U	C546	1-113-619-11	CERAMIC CHIP	0.47uF	10V	
U	C368	1-125-777-11	CERAMIC CHIP	0.1uF	10%	10V	U	C488	1-115-566-11	CERAMIC CHIP	4.7uF	10%	10V	U	C547	1-113-619-11	CERAMIC CHIP	0.47uF	10V	
U	C369	1-125-777-11	CERAMIC CHIP	0.1uF	10%	10V	U	C489	1-162-964-11	CERAMIC CHIP	0.001uF	10%	50V	U	C555	1-113-619-11	CERAMIC CHIP	0.47uF	10V	
U	C370	1-162-964-11	CERAMIC CHIP	0.001uF	10%	50V	U	C490	1-126-209-11	ELECT CHIP	100uF	20%	4V	U	C602	1-164-156-11	CERAMIC CHIP	0.1uF	25V	
U	C371	1-162-964-11	CERAMIC CHIP	0.001uF	10%	50V	U	C491	1-126-209-11	ELECT CHIP	100uF	20%	4V	U	C604	1-135-259-11	TANTAL. CHIP	10uF	20%	6.3V
U	C372	1-165-492-21	ELECT CHIP	100uF	20%	10V	U	C492	1-107-826-11	CERAMIC CHIP	(DD TXI,DD TXI/C ARRAY) 0.1uF	10%	16V	U	C606	1-162-964-11	CERAMIC CHIP	0.001uF	10%	50V
U	C373	1-165-492-21	ELECT CHIP	100uF	20%	10V	U	C493	1-107-826-11	CERAMIC CHIP	(DD TXI,DD TXI/C ARRAY) 0.1uF	10%	16V	U	C607	1-162-968-11	CERAMIC CHIP	0.0047uF	10%	50V
U	C392	1-107-826-11	CERAMIC CHIP	0.1uF	10%	16V	U	C494	1-163-021-91	CERAMIC CHIP	0.01uF	10%	50V	U	C608	1-107-826-11	CERAMIC CHIP	0.1uF	10%	16V
U	C393	1-125-777-11	CERAMIC CHIP	0.1uF	10%	10V	U	C495	1-125-837-91	CERAMIC CHIP	1uF	10%	6.3V	U	C609	1-164-739-11	CERAMIC CHIP	560PF	5%	50V
U	C394	1-107-826-11	CERAMIC CHIP	0.1uF	10%	16V	U	C496	1-107-682-11	CERAMIC CHIP	1uF	10%	16V	U	C610	1-164-156-11	CERAMIC CHIP	0.1uF	25V	
U	C395	1-125-777-11	CERAMIC CHIP	0.1uF	10%	10V	U	C497	1-162-964-11	CERAMIC CHIP	0.001uF	10%	50V	U	C611	1-164-156-11	CERAMIC CHIP	0.1uF	25V	
U	C396	1-125-777-11	CERAMIC CHIP	0.1uF	10%	10V	U	C498	1-127-760-11	CERAMIC CHIP	4.7uF	10%	6.3V	U	C612	1-164-156-11	CERAMIC CHIP	0.1uF	25V	
U	C402	1-164-505-11	CERAMIC CHIP	2.2uF		16V	U	C499	1-164-505-11	CERAMIC CHIP	2.2uF		16V	U	C615	1-164-156-11	CERAMIC CHIP	0.1uF	25V	
U	C403	1-164-937-11	CERAMIC CHIP	0.001uF	10%	50V	U	C501	1-164-346-11	CERAMIC CHIP	1uF		16V	U	C616	1-164-156-11	CERAMIC CHIP	0.1uF	25V	
U	C404	1-125-837-91	CERAMIC CHIP	1uF	10%	6.3V	U	C502	1-113-619-11	CERAMIC CHIP	0.47uF		10V	U	C617	1-162-964-11	CERAMIC CHIP	0.001uF	10%	50V
U	C407	1-107-826-11	CERAMIC CHIP	0.1uF	10%	16V	U	C503	1-163-009-91	CERAMIC CHIP	0.001uF	10%	50V	U	C618	1-107-826-11	CERAMIC CHIP	0.1uF	10%	16V
U	C408	1-107-826-11	CERAMIC CHIP	0.1uF	10%	16V	U	C504	1-164-346-11	CERAMIC CHIP	1uF		16V	U	C619	1-162-916-11	CERAMIC CHIP	12PF	5%	50V
U	C416	1-124-779-00	ELECT CHIP	10uF	20%	16V	U	C506	1-113-619-11	CERAMIC CHIP	0.47uF		10V	U	C620	1-107-826-11	CERAMIC CHIP	0.1uF	10%	16V
U	C417	1-162-964-11	CERAMIC CHIP	0.001uF	10%	50V	U	C507	1-163-009-91	CERAMIC CHIP	0.001uF	10%	50V	U	C623	1-107-826-11	CERAMIC CHIP	0.1uF	10%	16V
U	C421	1-124-779-00	ELECT CHIP	10uF	20%	16V	U	C511	1-113-619-11	CERAMIC CHIP	0.47uF		10V	U	C625	1-107-826-11	CERAMIC CHIP	0.1uF	10%	16V
U	C422	1-107-826-11	CERAMIC CHIP	0.1uF	10%	16V	U	C513	1-113-619-11	CERAMIC CHIP	0.47uF		10V	U	C626	1-107-826-11	CERAMIC CHIP	0.1uF	10%	16V
U	C423	1-107-826-11	CERAMIC CHIP	0.1uF	10%	16V	U	C514	1-113-619-11	CERAMIC CHIP	0.47uF		10V	U	C627	1-107-826-11	CERAMIC CHIP	0.1uF	10%	16V
U	C425	1-124-779-00	ELECT CHIP	10uF	20%	16V	U	C515	1-113-619-11	CERAMIC CHIP	0.47uF		10V	U	C635	1-162-968-11	CERAMIC CHIP	0.0047uF	10%	50V
U	C426	1-107-826-11	CERAMIC CHIP	0.1uF	10%	16V	U	C516	1-113-619-11	CERAMIC CHIP	0.47uF		10V	U	C638	1-162-970-11	CERAMIC CHIP	0.01uF	10%	25V
U	C427	1-117-681-11	ELECT CHIP	100uF	20%	16V	U	C517	1-113-619-11	CERAMIC CHIP	0.47uF		10V	U	C639	1-164-217-11	CERAMIC CHIP	150PF	5%	50V
U	C432	1-107-725-11	CERAMIC CHIP	0.1uF	10%	16V	U	C518	1-113-619-11	CERAMIC CHIP	0.47uF		10V	U	C640	1-135-259-11	TANTAL. CHIP	10uF	20%	6.3V
U	C434	1-162-964-11	CERAMIC CHIP	0.001uF	10%	50V	U	C519	1-113-619-11	CERAMIC CHIP	0.47uF		10V	U	C642	1-164-156-11	CERAMIC CHIP	0.1uF	25V	
U	C440	1-100-392-21	ELECT CHIP	180uF	20%	2.5V	U	C520	1-113-619-11	CERAMIC CHIP	0.47uF		10V	U	C643	1-107-826-11	CERAMIC CHIP	0.1uF	10%	16V
U	C443	1-100-392-21	ELECT CHIP	180uF	20%	2.5V	U	C521	1-125-837-91	CERAMIC CHIP	1uF	10%	6.3V	U	C644	1-164-230-11	CERAMIC CHIP	220PF	5%	50V
U	C445	1-117-720-11	CERAMIC CHIP	4.7uF		10V	U	C522	1-164-156-11	CERAMIC CHIP	0.1uF	10%	16V	U	C645	1-165-176-11	CERAMIC CHIP	0.047uF	10%	16V
U	C646	1-162-964-11	CERAMIC CHIP	0.001uF	10%	50V	U	C646	1-162-964-11	CERAMIC CHIP	0.001uF	10%	50V	U	C646	1-162-964-11	CERAMIC CHIP	0.001uF	10%	50V
U	C647	1-117-863-11	CERAMIC CHIP	0.47uF	10%	6.3V	U	C647	1-117-863-11	CERAMIC CHIP	0.47uF	10%	6.3V	U	C647	1-117-863-11	CERAMIC CHIP	0.47uF	10%	6.3V
U	C648	1-164-156-11	CERAMIC CHIP	0.1uF		25V	U	C648	1-164-156-11	CERAMIC CHIP	0.1uF		25V	U	C648	1-164-156-11	CERAMIC CHIP	0.1uF		25V
U	C649																			

SC	Ref. No.	Part No.	Description	Remark	SC	Ref. No.	Part No.	Description	Remark	SC	Ref. No.	Part No.	Description	Remark	SC	Ref. No.	Part No.	Description	Remark	
U	C809	1-107-826-11	CERAMIC CHIP	0.1uF 10% 16V	U	C910	1-107-826-11	CERAMIC CHIP	0.1uF 10% 16V (DD FJT,DD TXI)	U	C958	1-107-826-11	CERAMIC CHIP	0.1uF 10% 16V	S	CN403	1-784-650-21	CONNECTOR 2P		
U	C810	1-104-851-11	TANTAL. CHIP	10uF 20% 10V	U	C911	1-107-826-11	CERAMIC CHIP	0.1uF 10% 16V (DD FJT,DD TXI)	U	C959	1-107-826-11	CERAMIC CHIP	0.1uF 10% 16V	S	CN406	1-766-342-21	CONNECTOR, FFC/FPC 12P		
U	C811	1-119-751-11	TANTAL. CHIP	22uF 20% 16V	U	C912	1-107-826-11	CERAMIC CHIP	0.1uF 10% 16V	U	C960	1-107-826-11	CERAMIC CHIP	0.1uF 10% 16V	S	CN501	1-476-736-12	TRANSMITTER UNIT, OPTICAL		
U	C812	1-164-670-11	CERAMIC CHIP	0.0012uF 5% 16V	U	C913	1-107-826-11	CERAMIC CHIP	0.1uF 10% 16V (DD FJT,DD TXI)	U	C961	1-107-826-11	CERAMIC CHIP	0.1uF 10% 16V	S	CN504	1-815-632-12	CONNECTOR, BOARD TO BOARD 110P		
U	C819	1-107-826-11	CERAMIC CHIP	0.1uF 10% 16V	U	C914	1-107-826-11	CERAMIC CHIP	0.1uF 10% 16V (DD FJT,DD TXI)	U	C962	1-107-826-11	CERAMIC CHIP	0.1uF 10% 16V	S	CN801	1-817-511-21	CONNECTOR, FFC/FPC (ZIF) 30P		
U	C821	1-104-851-11	TANTAL. CHIP	10uF 20% 10V	U	C915	1-107-826-11	CERAMIC CHIP	0.1uF 10% 16V (DD FJT,DD TXI)	U	C963	1-107-826-11	CERAMIC CHIP	0.1uF 10% 16V (DD FJT,DD TXI)	S	CN802	1-816-184-21	CONNECTOR, FFC/FPC 5P		
U	C824	1-119-751-11	TANTAL. CHIP	22uF 20% 16V	U	C916	1-107-826-11	CERAMIC CHIP	0.1uF 10% 16V	U	C965	1-107-826-11	CERAMIC CHIP	0.1uF 10% 16V (DD FJT,DD TXI)	S	CN803	1-779-206-21	CONNECTOR, FFC (LIF(NON-ZIF)) 4P		
U	C825	1-164-670-11	CERAMIC CHIP	0.0012uF 5% 16V	U	C917	1-107-826-11	CERAMIC CHIP	0.1uF 10% 16V (DD FJT,DD TXI)	U	C966	1-107-826-11	CERAMIC CHIP	0.1uF 10% 16V	S	CN804	1-794-194-21	CONNECTOR, FFC/FPC 13P		
U	C826	1-164-677-11	CERAMIC CHIP	0.033uF 10% 16V	U	C918	1-107-826-11	CERAMIC CHIP	0.1uF 10% 16V (DD FJT,DD TXI)	U	C967	1-125-837-91	CERAMIC CHIP	1uF 10% 6.3V	< DIODE >					
U	C827	1-162-966-11	CERAMIC CHIP	0.0022uF 10% 50V	U	C919	1-107-826-11	CERAMIC CHIP	0.1uF 10% 16V (DD FJT,DD TXI)	U	C968	1-125-837-91	CERAMIC CHIP	1uF 10% 6.3V	U	D201	8-719-065-78	DIODE MAZF12000LS0		
U	C828	1-162-966-11	CERAMIC CHIP	0.0022uF 10% 50V	U	C920	1-107-826-11	CERAMIC CHIP	0.1uF 10% 16V (DD FJT,DD TXI)	U	C969	1-125-777-11	CERAMIC CHIP	0.1uF 10% 10V	U	D202	6-500-044-01	DIODE DF6A6.8FU(TE85R)		
U	C829	1-162-966-11	CERAMIC CHIP	0.0022uF 10% 50V	U	C921	1-107-826-11	CERAMIC CHIP	0.1uF 10% 16V	U	C980	1-107-826-11	CERAMIC CHIP	0.1uF 10% 16V	U	D203	6-500-044-01	DIODE DF6A6.8FU(TE85R)		
U	C830	1-162-966-11	CERAMIC CHIP	0.0022uF 10% 50V	U	C922	1-107-826-11	CERAMIC CHIP	0.1uF 10% 16V	U	C981	1-107-826-11	CERAMIC CHIP	0.1uF 10% 16V	U	D208	6-500-044-01	DIODE DF6A6.8FU(TE85R)		
U	C833	1-164-346-11	CERAMIC CHIP	1uF 10% 16V	U	C923	1-107-826-11	CERAMIC CHIP	0.1uF 10% 16V (DD FJT,DD TXI)	U	C982	1-107-826-11	CERAMIC CHIP	0.1uF 10% 16V	U	D303	6-500-606-01	DIODE 1SS383(T5RSONY,F)		
U	C836	1-107-826-11	CERAMIC CHIP	0.1uF 10% 16V	U	C924	1-107-826-11	CERAMIC CHIP	0.1uF 10% 16V	U	C983	1-107-826-11	CERAMIC CHIP	0.1uF 10% 16V	U	D404	8-719-033-15	DIODE HN2D02FU-TE85R		
U	C839	1-125-837-91	CERAMIC CHIP	1uF 10% 6.3V	U	C926	1-107-826-11	CERAMIC CHIP	0.1uF 10% 16V (DD FJT,DD TXI)	U	C984	1-107-826-11	CERAMIC CHIP	0.1uF 10% 16V	U	D500	8-719-941-09	DIODE DAP202U		
U	C843	1-162-970-11	CERAMIC CHIP	0.01uF 10% 25V	U	C927	1-107-826-11	CERAMIC CHIP	0.1uF 10% 16V	U	C985	1-107-826-11	CERAMIC CHIP	0.1uF 10% 16V	U	D501	6-500-252-01	LED SML-512WW-T86		
U	C844	1-125-837-91	CERAMIC CHIP	1uF 10% 6.3V	U	C928	1-107-826-11	CERAMIC CHIP	0.1uF 10% 16V	U	C986	1-107-826-11	CERAMIC CHIP	0.1uF 10% 16V	U	D801	8-719-065-68	DIODE MAZF04700LS0		
U	C845	1-162-970-11	CERAMIC CHIP	0.01uF 10% 25V	U	C929	1-107-826-11	CERAMIC CHIP	0.1uF 10% 16V	U	C987	1-107-826-11	CERAMIC CHIP	0.1uF 10% 16V	U	D802	8-719-065-68	DIODE MAZF04700LS0		
U	C850	1-107-826-11	CERAMIC CHIP	0.1uF 10% 16V	U	C930	1-107-826-11	CERAMIC CHIP	0.1uF 10% 16V (DD FJT,DD TXI)	U	C988	1-107-826-11	CERAMIC CHIP	0.1uF 10% 16V	< FERRITE BEAD >					
U	C851	1-162-970-11	CERAMIC CHIP	0.01uF 10% 25V	U	C931	1-107-826-11	CERAMIC CHIP	0.1uF 10% 16V	U	C989	1-107-826-11	CERAMIC CHIP	0.1uF 10% 16V	U	FB102	1-469-667-21	FERRITE, EMI (SMD)		
U	C852	1-164-173-11	CERAMIC CHIP	0.0039uF 10% 50V	U	C932	1-107-826-11	CERAMIC CHIP	0.1uF 10% 16V (DD FJT,DD TXI)	U	C990	1-107-826-11	CERAMIC CHIP	0.1uF 10% 16V	U	FB103	1-469-667-21	FERRITE, EMI (SMD)		
U	C853	1-107-826-11	CERAMIC CHIP	0.1uF 10% 16V	U	C933	1-107-826-11	CERAMIC CHIP	0.1uF 10% 16V (DD FJT,DD TXI)	U	CB190	1-100-589-11	CERAMIC CHIP	0.1uFX4 6.3V (DD FJT/C ARRAY,DD TXI/C ARRAY)	U	FB104	1-469-667-21	FERRITE, EMI (SMD)		
U	C854	1-107-826-11	CERAMIC CHIP	0.1uF 10% 16V	U	C934	1-107-826-11	CERAMIC CHIP	0.1uF 10% 16V (DD FJT,DD TXI)	U	CB191	1-100-589-11	CERAMIC CHIP	0.1uFX4 6.3V (DD FJT/C ARRAY,DD TXI/C ARRAY)	U	FB105	1-469-667-21	FERRITE, EMI (SMD)		
U	C855	1-115-467-11	CERAMIC CHIP	0.22uF 10% 10V	U	C935	1-107-826-11	CERAMIC CHIP	0.1uF 10% 16V	U	CB192	1-100-589-11	CERAMIC CHIP	0.1uFX4 6.3V (DD FJT/C ARRAY,DD TXI/C ARRAY)	U	FB201	1-414-813-11	FERRITE, EMI (SMD)		
U	C859	1-107-826-11	CERAMIC CHIP	0.1uF 10% 16V	U	C937	1-107-826-11	CERAMIC CHIP	0.1uF 10% 16V	U	CB193	1-100-589-11	CERAMIC CHIP	0.1uFX4 6.3V (DD FJT/C ARRAY,DD TXI/C ARRAY)	U	FB202	1-500-113-22	BEAD, FERRITE (CHIP)		
U	C860	1-162-964-11	CERAMIC CHIP	0.001uF 10% 50V	U	C938	1-107-826-11	CERAMIC CHIP	0.1uF 10% 16V	U	CB194	1-100-589-11	CERAMIC CHIP	0.1uFX4 6.3V (DD FJT/C ARRAY,DD TXI/C ARRAY)	U	FB203	1-500-113-22	BEAD, FERRITE (CHIP)		
U	C862	1-162-966-11	CERAMIC CHIP	0.0022uF 10% 50V	U	C939	1-107-826-11	CERAMIC CHIP	0.1uF 10% 16V	U	CB195	1-100-589-11	CERAMIC CHIP	0.1uFX4 6.3V (DD FJT/C ARRAY,DD TXI/C ARRAY)	U	FB204	1-500-113-22	BEAD, FERRITE (CHIP)		
U	C867	1-164-230-11	CERAMIC CHIP	220PF 5% 50V	U	C940	1-107-826-11	CERAMIC CHIP	0.1uF 10% 16V	U	CB340	1-125-764-41	CERAMIC CHIP	100PFX4	U	FB205	1-500-113-22	BEAD, FERRITE (CHIP)		
U	C869	1-164-156-11	CERAMIC CHIP	0.1uF 25V	U	C941	1-107-826-11	CERAMIC CHIP	0.1uF 10% 16V	U	CB341	1-125-764-41	CERAMIC CHIP	100PFX4	U	FB206	1-500-113-22	BEAD, FERRITE (CHIP)		
U	C870	1-164-156-11	CERAMIC CHIP	0.1uF 25V	U	C942	1-107-826-11	CERAMIC CHIP	0.1uF 10% 16V	U	CB703	1-125-764-41	CERAMIC CHIP	100PFX4	U	FB303	1-400-154-21	FERRITE, EMI		
U	C871	1-107-826-11	CERAMIC CHIP	0.1uF 10% 16V	U	C943	1-107-826-11	CERAMIC CHIP	0.1uF 10% 16V	U	CB970	1-100-589-11	CERAMIC CHIP	0.1uFX4 6.3V (DD FJT/C ARRAY,DD TXI/C ARRAY)	U	FB305	1-414-760-21	FERRITE, EMI (SMD)		
U	C872	1-115-467-11	CERAMIC CHIP	0.22uF 10% 10V	U	C944	1-107-826-11	CERAMIC CHIP	0.1uF 10% 16V	U	CB971	1-100-589-11	CERAMIC CHIP	0.1uFX4 6.3V (DD FJT/C ARRAY,DD TXI/C ARRAY)	U	FB308	1-400-154-21	FERRITE, EMI		
U	C873	1-164-739-11	CERAMIC CHIP	560PF 5% 50V	U	C945	1-107-826-11	CERAMIC CHIP	0.1uF 10% 16V	U	CB972	1-100-589-11	CERAMIC CHIP	0.1uFX4 6.3V (DD FJT/C ARRAY,DD TXI/C ARRAY)	U	FB310	1-400-154-21	FERRITE, EMI		
U	C874	1-162-968-11	CERAMIC CHIP	0.0047uF 10% 50V	U	C946	1-107-826-11	CERAMIC CHIP	0.1uF 10% 16V	U	CB974	1-100-589-11	CERAMIC CHIP	0.1uFX4 6.3V (DD FJT/C ARRAY,DD TXI/C ARRAY)	U	FB313	1-414-760-21	FERRITE, EMI (SMD)		
U	C875	1-162-970-11	CERAMIC CHIP	0.01uF 10% 25V	U	C947	1-107-826-11	CERAMIC CHIP	0.1uF 10% 16V	U	CB975	1-100-589-11	CERAMIC CHIP	0.1uFX4 6.3V (DD FJT/C ARRAY,DD TXI/C ARRAY)	U	FB314	1-469-324-21	FERRITE, EMI (SMD)		
U	C877	1-162-964-11	CERAMIC CHIP	0.001uF 10% 50V	U	C948	1-107-826-11	CERAMIC CHIP	0.1uF 10% 16V	U	CB977	1-100-589-11	CERAMIC CHIP	0.1uFX4 6.3V (DD FJT/C ARRAY,DD TXI/C ARRAY)	U	FB315	1-469-324-21	FERRITE, EMI (SMD)		
U	C879	1-162-966-11	CERAMIC CHIP	0.0022uF 10% 50V	U	C949	1-107-826-11	CERAMIC CHIP	0.1uF 10% 16V	U	CB978	1-100-589-11	CERAMIC CHIP	0.1uFX4 6.3V (DD FJT/C ARRAY,DD TXI/C ARRAY)	U	FB316	1-469-324-21	FERRITE, EMI (SMD)		
U	C881	1-127-692-11	CERAMIC CHIP	10uF 10% 16V	U	C950	1-107-826-11	CERAMIC CHIP	0.1uF 10% 16V	U	CB979	1-100-589-11	CERAMIC CHIP	0.1uFX4 6.3V (DD FJT/C ARRAY,DD TXI/C ARRAY)	U	FB317	1-469-110-21	FERRITE, EMI (SMD)		
U	C884	1-107-826-11	CERAMIC CHIP	0.1uF 10% 16V	U	C951	1-107-826-11	CERAMIC CHIP	0.1uF 10% 16V	U	CB980	1-100-589-11	CERAMIC CHIP	0.1uFX4 6.3V (DD FJT/C ARRAY,DD TXI/C ARRAY)	U	FB318	1-469-110-21	FERRITE, EMI (SMD)		
U	C885	1-107-826-11	CERAMIC CHIP	0.1uF 10% 16V	U	C952	1-107-826-11	CERAMIC CHIP	0.1uF 10% 16V	U	CB981	1-100-589-11	CERAMIC CHIP	0.1uFX4 6.3V (DD FJT/C ARRAY,DD TXI/C ARRAY)	U	FB319	1-469-110-21	FERRITE, EMI (SMD)		
U	C886	1-107-826-11	CERAMIC CHIP	0.1uF 10% 16V	U	C953	1-107-826-11	CERAMIC CHIP	0.1uF 10% 16V	U	CB982	1-100-589-11	CERAMIC CHIP	0.1uFX4 6.3V (DD FJT/C ARRAY,DD TXI/C ARRAY)	U	FB320	1-469-110-21	FERRITE, EMI (SMD)		
U	C887	1-107-826-11	CERAMIC CHIP	0.1uF 10% 16V	U	C954	1-107-826-11	CERAMIC CHIP	0.1uF 10% 16V	U	CB983	1-100-589-11	CERAMIC CHIP	0.1uFX4 6.3V (DD FJT/C ARRAY,DD TXI/C ARRAY)	U	FB321	1-469-110-21	FERRITE, EMI (SMD)		
U	C888	1-107-826-11	CERAMIC CHIP	0.1uF 10% 16V	U	C955	1-107-826-11	CERAMIC CHIP	0.1uF 10% 16V (DD FJT,DD TXI)	U	CB984	1-100-589-11	CERAMIC CHIP	0.1uFX4 6.3V (DD FJT/C ARRAY,DD TXI/C ARRAY)	U	FB322	1-469-110-21	FERRITE, EMI (SMD)		
U	C889	1-107-826-11	CERAMIC CHIP	0.1uF 10% 16V	U	C956	1-107-826-11	CERAMIC CHIP	0.1uF 10% 16V (DD FJT,DD TXI)	U	CB985	1-100-589-11	CERAMIC CHIP	0.1uFX4 6.3V (DD FJT/C ARRAY,DD TXI/C ARRAY)	U	FB323	1-469-110-21	FERRITE, EMI (SMD)		
U	C890	1-104-851-11	TANTAL. CHIP	10uF 20% 10V	U	C957	1-107-826-11	CERAMIC CHIP	0.1uF 10% 16V	U	CB986	1-100-589-11	CERAMIC CHIP	0.1uFX4 6.3V (DD FJT/C ARRAY						

SC	Ref. No.	Part No.	Description	Remark	SC	Ref. No.	Part No.	Description	Remark	SC	Ref. No.	Part No.	Description	Remark	SC	Ref. No.	Part No.	Description	Remark
			< IC >																
S	IC101	8-759-831-20	IC CY2212ZC-2T <Direct Rambus Clock Generator>		U	L105	1-414-771-91	INDUCTOR 10uH		U	R110	1-211-983-11	METAL CHIP 39	0.5% 1/10W	U	R314	1-216-813-11	METAL CHIP 220	5% 1/10W
S	IC102	6-702-936-01	IC TC59RM716AGB-8 <RDRAM for Emotion Engine>		U	L106	1-414-771-91	INDUCTOR 10uH		U	R111	1-211-983-11	METAL CHIP 39	0.5% 1/10W	U	R315	1-216-864-11	METAL CHIP 0	5% 1/10W
S	IC103	6-702-936-01	IC TC59RM716AGB-8 <RDRAM for Emotion Engine>		U	L203	1-469-967-21	INDUCTOR 10uH		U	R112	1-211-989-11	METAL CHIP 68	0.5% 1/10W	U	R316	1-216-821-11	METAL CHIP 1K	5% 1/10W
S	IC104	6-701-906-01	IC CXD9708GB <Emotion Engine>		U	L401	1-424-918-21	COIL, CHOKE 10uH		U	R113	1-211-989-11	METAL CHIP 68	0.5% 1/10W	U	R317	1-216-864-11	METAL CHIP 0	5% 1/10W
S	IC106	6-700-967-01	IC CY24141ZC-3T <Graphics Media Clock Generator>		U	L404	1-456-044-11	COIL, CHOKE 2.1uH		U	R114	1-211-983-11	METAL CHIP 39	0.5% 1/10W	U	R319	1-216-801-11	METAL CHIP 22	5% 1/10W
S	IC107	6-704-688-01	IC LM71CIMFX <Thermal Sensor>		U	L408	1-456-045-11	COIL, CHOKE 6.2uH		U	R115	1-211-983-11	METAL CHIP 39	0.5% 1/10W	U	R320	1-216-809-11	METAL CHIP 100	5% 1/10W
S	IC202	6-703-069-01	IC CXD2949BGB-T7 <Graphics Synthesizer>		U	L414	1-456-043-11	COIL, CHOKE 12uH		U	R116	1-211-983-11	METAL CHIP 39	0.5% 1/10W	U	R321	1-216-823-11	METAL CHIP 1.5K	5% 1/10W
S	IC207	8-759-691-00	IC JCP78M05CDTRK <Regulator>		U	L415	1-411-749-21	FILTER, NOISE (ZBFS5105-PT)		U	R117	1-211-983-11	METAL CHIP 39	0.5% 1/10W	U	R322	1-216-857-11	METAL CHIP 1M	5% 1/10W
S	IC209	6-703-308-01	IC MM1592FFBEG <Regulator>		U	L801	1-469-524-91	INDUCTOR 4.7uH		U	R118	1-211-973-11	METAL CHIP 15	0.5% 1/10W	U	R324	1-216-833-11	METAL CHIP 10K	5% 1/10W
S	IC211	8-752-103-96	IC CXM4000R-T6 <Digital Video Encoder>		U	L802	1-469-524-91	INDUCTOR 4.7uH		U	R119	1-211-973-11	METAL CHIP 15	0.5% 1/10W	U	R327	1-216-801-11	METAL CHIP 22	5% 1/10W
			< IC LINK >																
			< TRANSISTOR >																
S	IC303	6-704-685-01	IC CXD9783GP <I/O Processor>		S△	PS001	1-576-519-21	FUSE, MICRO (0.4A)		U	R120	1-211-973-11	METAL CHIP 15	0.5% 1/10W	U	R328	1-216-841-11	METAL CHIP 47K	5% 1/10W
S	IC306	8-752-421-09	IC CXD2954TM-TL <2M Byte DRAM for I/O Processor>		S△	PS002	1-576-519-21	FUSE, MICRO (0.4A)		U	R121	1-211-973-11	METAL CHIP 15	0.5% 1/10W	U	R329	1-216-805-11	METAL CHIP 47	5% 1/10W
S	IC307	8-752-422-69	IC CXD1412Q-T4 <Remote Controller Gate Array>		S△	PS003	1-576-398-21	LINK, IC (CCP2E63) (2.5A)		U	R131	1-216-833-11	METAL CHIP 10K	5% 1/10W	U	R330	1-216-803-11	METAL CHIP 33	5% 1/10W
S	IC403	6-703-967-01	IC MM1579AFBE <2ch Regulator + Voltage Detector>		S△	PS004	1-576-398-21	LINK, IC (CCP2E63) (2.5A)		U	R133	1-216-833-11	METAL CHIP 10K	5% 1/10W	U	R331	1-216-805-11	METAL CHIP 47	5% 1/10W
S	IC407	6-703-963-01	IC MM1582AHBE <5ch Regulator>		S△	PS005	1-576-586-21	FUSE, MICRO (0.7A)		U	R134	1-218-953-11	RES-CHIP 1K	5% 1/16W	U	R332	1-216-805-11	METAL CHIP 47	5% 1/10W
S	IC409	6-703-353-01	IC MB39A109PFT-G-BND-ER (DD FJT,DD FJT/C ARRAY) <2ch DC/DC Converter>		S△	PS006	1-576-586-21	FUSE, MICRO (0.7A)		U	R139	1-216-801-11	METAL CHIP 22	5% 1/10W	U	R333	1-216-864-11	METAL CHIP 0	5% 1/10W
S	IC409	6-703-354-01	IC SN105225DBTR (DD TXI,DD TXI/C ARRAY) <2ch DC/DC Converter>		S△	PS007	1-576-586-21	FUSE, MICRO (0.7A)		U	R145	1-218-953-11	RES-CHIP 1K	5% 1/16W	U	R334	1-216-805-11	METAL CHIP 47	5% 1/10W
S	IC413	6-702-460-01	IC LP2985IM5X-3.5P <Regulator>		S△	PS008	1-576-282-21	LINK, SQUARE CHIP TYPE IC (1.2A)		U	R147	1-216-821-11	METAL CHIP 1K	5% 1/10W	U	R335	1-216-809-11	METAL CHIP 100	5% 1/10W
S	IC414	6-701-175-01	IC MC7808CDT5 <Regulator>		S△	PS009	1-533-282-21	LINK, IC (2A)		U	R158	1-216-803-11	METAL CHIP 33	5% 1/10W	U	R337	1-216-817-11	METAL CHIP 470	5% 1/10W
S	IC415	8-759-581-11	IC NJM2125F(Te2) <OP-Amp>		S△	PS010	1-533-282-21	LINK, IC (2A)		U	R159	1-216-805-11	METAL CHIP 47	5% 1/10W	U	R338	1-216-803-11	METAL CHIP 33	5% 1/10W
S	IC417	6-703-968-01	IC NCP631GD2TR4 <Regulator>		S△	PS011	1-533-282-21	LINK, IC (2A)		U	R164	1-216-864-11	METAL CHIP 0	5% 1/10W	U	R339	1-216-805-11	METAL CHIP 47	5% 1/10W
S	IC501	6-701-214-01	IC CXD9611BR <SS-BUS Interface>		S△	PS012	1-576-282-21	LINK, SQUARE CHIP TYPE IC (1.2A)		U	R185	1-216-829-11	METAL CHIP 4.7K	5% 1/10W	U	R340	1-211-990-11	METAL CHIP 75	0.5% 1/10W
S	IC504	8-752-417-81	IC CXD2947R-TL <Sound Processor Unit>		S△	PS013	1-576-519-21	FUSE, MICRO (0.4A)		U	R188	1-216-829-11	METAL CHIP 4.7K	5% 1/10W	U	R341	1-216-803-11	METAL CHIP 33	5% 1/10W
S	IC505	6-803-401-01	IC MR26V6420G-033TMZ (50003,50004) <Boot/DVD ROM>		S△	PS014	1-533-282-21	LINK, IC (2A)		U	R191	1-216-864-11	METAL CHIP 0	5% 1/10W	U	R342	1-216-809-11	METAL CHIP 100	5% 1/10W
S	IC505	6-803-402-01	IC MR26V6420G-034TMZ (50002) <Boot/DVD ROM>		S△	PS015	1-576-677-21	LINK, IC (4A)		U	R196	1-218-933-11	RES-CHIP 22	5% 1/16W	U	R347	1-211-986-11	METAL CHIP 51	0.5% 1/10W
S	IC517	8-759-667-10	IC CS4335-KS <Stereo D/A Converter>		S△	PS016	1-576-519-21	FUSE, MICRO (0.4A)		U	R201	1-216-829-11	METAL CHIP 4.7K	5% 1/10W	U	R348	1-216-864-11	METAL CHIP 0	5% 1/10W
S	IC520	8-759-271-86	IC TC7SH04FU <1 Logic Inverter>		U	Q204	8-729-049-77	TRANSISTOR HN1B01F-GR(T5LSONY)		U	R202	1-216-833-11	METAL CHIP 10K	5% 1/10W	U	R349	1-216-821-11	METAL CHIP 1K	5% 1/10W
S	IC605	8-752-417-96	IC CXD3098Q <CD/DVD Digital Signal Processor>		U	Q401	6-550-222-01	FET IRF7335D1-TR		U	R216	1-216-864-11	METAL CHIP 0	5% 1/10W	U	R350	1-216-805-11	METAL CHIP 47	5% 1/10W
S	IC607	J-2504-246-A	IC CXR706080-102GG-TL (50002) <Mechanics-Controller>		U	Q405	8-729-427-47	TRANSISTOR XP4213-TXE		U	R220	1-218-933-11	RES-CHIP 22	5% 1/16W	U	R352	1-216-797-11	METAL CHIP 10	5% 1/10W
S	IC607	J-2504-247-A	IC CXR706080-102GG-TL (50003) <Mechanics-Controller>		U	Q406	8-729-427-47	TRANSISTOR XP4213-TXE		U	R225	1-216-833-11	METAL CHIP 10K	5% 1/10W	U	R353	1-216-821-11	METAL CHIP 1K	5% 1/10W
S	IC607	J-2504-248-A	IC CXR706080-102GG-TL (50004) <Mechanics-Controller>		U	Q409	8-729-427-47	TRANSISTOR XP4213-TXE		U	R245	1-216-805-11	METAL CHIP 47	5% 1/10W	U	R354	1-216-827-11	METAL CHIP 3.3K	5% 1/10W
S	IC801	6-703-491-01	IC SP3727DAAOPMR <Front-end Processor (RF AMP)>		U	Q411	6-550-393-01	FET FDC606P		U	R250	1-216-803-11	METAL CHIP 33	5% 1/10W	U	R355	1-216-801-11	METAL CHIP 22	5% 1/10W
S	IC802	6-703-763-01	IC LA6508H-TLM-E <Motor Driver (Sled,Loading,Focus,Tracking)>		U	Q412	6-550-026-01	FET IRF7328-TR		U	R251	1-216-837-11	METAL CHIP 22K	5% 1/10W	U	R356	1-216-801-11	METAL CHIP 22	5% 1/10W
S	IC803	6-703-762-01	IC LB11971H-TLM-E <Motor Driver (Spindle)>		U	Q415	6-550-397-01	TRANSISTOR 2SC5886(T6L1SOY,NF)		U	R252	1-216-839-11	METAL CHIP 33K	5% 1/10W	U	R357	1-216-833-11	METAL CHIP 10K	5% 1/10W
S	IC807	8-759-691-00	IC JCP78M05CDTRK <Regulator>		U	Q417	6-550-222-01	FET IRF7335D1-TR		U	R253	1-216-833-11	METAL CHIP 10K	5% 1/10W	U	R358	1-216-833-11	METAL CHIP 10K	5% 1/10W
			< COIL >		U	Q418	8-729-427-47	TRANSISTOR XP4213-TXE		U	R257	1-216-824-11	METAL CHIP 1.8K	5% 1/10W	U	R365	1-216-805-11	METAL CHIP 47	5% 1/10W
U	L102	1-469-967-21	INDUCTOR 10uH		U	Q423	8-729-403-35	TRANSISTOR UN5113		U	R258	1-216-295-91	SHORT CHIP 0		U	R366	1-218-937-11	RES-CHIP 47	5% 1/16W
U	L103	1-469-967-21	INDUCTOR 10uH		U	Q424	6-550-596-01	FET FDC658P		U	R259	1-216-824-11	METAL CHIP 1.8K	5% 1/10W	U	R367	1-216-805-11	METAL CHIP 47	5% 1/10W
			< RESISTOR >		U	Q505	8-729-021-09	TRANSISTOR RN4904(Te85R)		U	R264	1-216-821-11	METAL CHIP 1K	5% 1/10W	U	R368	1-216-805-11	METAL CHIP 47	5% 1/10W
			< TRANSISTOR >		U	Q506	8-729-056-15	TRANSISTOR IMH20T108		U	R272	1-218-851-11	METAL CHIP 1.5K	0.5% 1/10W	U	R371	1-211-990-11	METAL CHIP 75	0.5% 1/10W
			< COIL >		U	Q600	8-729-048-50	FET 2SK3018-T106		U	R273	1-218-848-11	METAL CHIP 1.1K	0.5% 1/10W	U	R372	1-216-806-11	METAL CHIP 56	5% 1/10W
			< RESISTOR >		U	Q801	6-550-014-01	FET SSM6N15FU(Te85R)		U	R278	1-218-851-11	METAL CHIP 1.5K	0.5% 1/10W	U	R373	1-216-809-11	METAL CHIP 100	5% 1/10W
			< RESISTOR >		U	Q804	8-729-101-07	TRANSISTOR 2SB798-DL		U	R279	1-218-848-11	METAL CHIP 1.1K	0.5% 1/10W	U	R374	1-216-811-11	METAL CHIP 150	5% 1/10W
			< RESISTOR >		U	Q805	8-729-101-07	TRANSISTOR 2SB798-DL		U	R292	1-216-833-11	METAL CHIP 10K	5% 1/10W	U	R375	1-216-864-11	METAL CHIP 0	5% 1/10W
			< RESISTOR >		U	Q815	8-729-017-33	TRANSISTOR RN1706-TE85R		U	R297	1-216-805-11	METAL CHIP 47	5% 1/10W	U	R376	1-216-813-11	METAL CHIP 220	5% 1/10W
			< RESISTOR >		U	R101	1-211-981-11	METAL CHIP 33	0.5% 1/10W	U	R298	1-216-805-11	METAL CHIP 47	5% 1/10W	U	R378	1-216-864-11	METAL CHIP 0	5% 1/10W
			< RESISTOR >		U	R102	1-208-661-11	METAL CHIP 120	0.5% 1/16W	U	R299	1-216-805-11	METAL CHIP 47	5% 1/10W	U	R385	1-216-813-11	METAL CHIP 220	5% 1/10W
			< RESISTOR >		U	R103	1-211-981-11	METAL CHIP 33	0.5% 1/10W	U	R302	1-216-805-11	METAL CHIP 47	5% 1/10W	U	R391	1-216-833-11	METAL CHIP 10K	5% 1/10W
			< RESISTOR >		U	R104	1-208-661-11												

SC	Ref. No.	Part No.	Description	Remark	SC	Ref. No.	Part No.	Description	Remark	SC	Ref. No.	Part No.	Description	Remark	SC	Ref. No.	Part No.	Description	Remark
U	R405	1-216-845-11	METAL CHIP	100K 5% 1/10W (DD TXI,DD TXI/C ARRAY)	U	R475	1-216-864-11	METAL CHIP	0 5% 1/10W (DD TXI,DD TXI/C ARRAY)	U	R644	1-216-833-11	METAL CHIP	10K 5% 1/10W	U	R857	1-216-832-11	METAL CHIP	8.2K 5% 1/10W
U	R410	1-216-296-11	SHORT CHIP	0	U	R479	1-216-843-11	METAL CHIP	68K 5% 1/10W	U	R649	1-216-833-11	METAL CHIP	10K 5% 1/10W	U	R859	1-216-850-11	METAL CHIP	270K 5% 1/10W
U	R411	1-216-296-11	SHORT CHIP	0	U	R480	1-216-843-11	METAL CHIP	68K 5% 1/10W	U	R650	1-216-833-11	METAL CHIP	10K 5% 1/10W	U	R860	1-217-671-11	METAL CHIP	1 5% 1/10W
U	R412	1-216-296-11	SHORT CHIP	0	U	R482	1-216-810-11	METAL CHIP	120 5% 1/10W	U	R651	1-216-837-11	METAL CHIP	22K 5% 1/10W	U	R861	1-217-671-11	METAL CHIP	1 5% 1/10W
U	R413	1-216-296-11	SHORT CHIP	0	U	R485	1-216-864-11	METAL CHIP	0 5% 1/10W	U	R654	1-216-845-11	METAL CHIP	100K 5% 1/10W	U	R862	1-217-671-11	METAL CHIP	1 5% 1/10W
U	R415	1-216-839-11	METAL CHIP	33K 5% 1/10W (DD TXI,DD TXI/C ARRAY)	U	R486	1-216-809-11	METAL CHIP	100 5% 1/10W	U	R657	1-216-839-11	METAL CHIP	33K 5% 1/10W	U	R863	1-216-298-00	METAL CHIP	2.2 5% 1/10W
U	R416	1-216-839-11	METAL CHIP	33K 5% 1/10W (DD TXI,DD TXI/C ARRAY)	U	R487	1-216-821-11	METAL CHIP	1K 5% 1/10W	U	R658	1-216-833-11	METAL CHIP	10K 5% 1/10W	U	R872	1-216-844-11	METAL CHIP	82K 5% 1/10W
U	R433	1-216-821-11	METAL CHIP	1K 5% 1/10W	U	R490	1-216-864-11	METAL CHIP	0 5% 1/10W	U	R664	1-216-821-11	METAL CHIP	1K 5% 1/10W	U	R873	1-216-839-11	METAL CHIP	33K 5% 1/10W
U	R434	1-216-864-11	METAL CHIP	0 5% 1/10W (DD TXI,DD TXI/C ARRAY)	U	R491	1-216-864-11	METAL CHIP	0 5% 1/10W	U	R665	1-216-821-11	METAL CHIP	1K 5% 1/10W	U	R874	1-216-828-11	METAL CHIP	3.9K 5% 1/10W
U	R435	1-216-864-11	METAL CHIP	0 5% 1/10W (DD TXI,DD TXI/C ARRAY)	U	R492	1-216-864-11	METAL CHIP	0 5% 1/10W	U	R667	1-216-861-11	METAL CHIP	2.2M 5% 1/10W	U	R888	1-216-833-11	METAL CHIP	10K 5% 1/10W
U	R446	1-216-827-11	METAL CHIP	3.3K 5% 1/10W (DD FJT,DD FJT/C ARRAY)	U	R493	1-216-864-11	METAL CHIP	0 5% 1/10W	U	R668	1-216-853-11	METAL CHIP	470K 5% 1/10W	U	R901	1-218-937-11	RES-CHIP	47 5% 1/16W
U	R446	1-216-864-11	METAL CHIP	0 5% 1/10W (DD TXI,DD TXI/C ARRAY)	U	R494	1-216-864-11	METAL CHIP	0 5% 1/10W	U	R669	1-216-845-11	METAL CHIP	100K 5% 1/10W	U	R902	1-218-937-11	RES-CHIP	47 5% 1/16W
U	R447	1-216-817-11	METAL CHIP	470 5% 1/10W (DD FJT,DD FJT/C ARRAY)	U	R495	1-216-864-11	METAL CHIP	0 5% 1/10W	U	R670	1-216-833-11	METAL CHIP	10K 5% 1/10W	U	R903	1-218-871-11	METAL CHIP	10K 0.5% 1/10W
U	R447	1-216-864-11	METAL CHIP	0 5% 1/10W (DD TXI,DD TXI/C ARRAY)	U	R496	1-216-027-00	METAL CHIP	120 5% 1/10W	U	R671	1-216-827-11	METAL CHIP	3.3K 5% 1/10W	U	R974	1-216-801-11	METAL CHIP	22 5% 1/10W
U	R450	1-216-295-91	SHORT CHIP	0	U	R497	1-216-027-00	METAL CHIP	120 5% 1/10W	U	R672	1-218-888-11	METAL CHIP	51K 0.5% 1/10W	U	R975	1-216-801-11	METAL CHIP	22 5% 1/10W
U	R451	1-216-295-91	SHORT CHIP	0	U	R498	1-216-027-00	METAL CHIP	120 5% 1/10W	U	R673	1-216-827-11	METAL CHIP	3.3K 5% 1/10W	< NETWORK RESISTOR >				
U	R452	1-216-790-11	METAL CHIP	2.7 5% 1/10W (DD TXI,DD TXI/C ARRAY)	U	R499	1-216-864-11	METAL CHIP	0 5% 1/10W	U	R674	1-216-845-11	METAL CHIP	100K 5% 1/10W	S	RB101	1-234-496-21	ARRAY, RESISTOR	39X8
U	R452	1-216-864-11	METAL CHIP	0 5% 1/10W (DD FJT,DD FJT/C ARRAY)	U	R503	1-216-803-11	METAL CHIP	33 5% 1/10W	U	R675	1-216-839-11	METAL CHIP	33K 5% 1/10W	S	RB102	1-234-496-21	ARRAY, RESISTOR	39X8
U	R454	1-216-790-11	METAL CHIP	2.7 5% 1/10W (DD TXI,DD TXI/C ARRAY)	U	R504	1-216-803-11	METAL CHIP	33 5% 1/10W	U	R678	1-216-829-11	METAL CHIP	4.7K 5% 1/10W	S	RB103	1-234-496-21	ARRAY, RESISTOR	39X8
U	R454	1-216-864-11	METAL CHIP	0 5% 1/10W (DD FJT,DD FJT/C ARRAY)	U	R505	1-216-803-11	METAL CHIP	33 5% 1/10W	U	R679	1-216-864-11	METAL CHIP	0 5% 1/10W	S	RB104	1-234-496-21	ARRAY, RESISTOR	39X8
U	R456	1-216-864-11	METAL CHIP	0 5% 1/10W (DD FJT,DD FJT/C ARRAY)	U	R506	1-216-809-11	METAL CHIP	100 5% 1/10W	U	R686	1-216-833-11	METAL CHIP	10K 5% 1/10W	S	RB105	1-234-496-21	ARRAY, RESISTOR	39X8
U	R457	1-218-857-11	METAL CHIP	2.7K 0.5% 1/10W (DD FJT,DD FJT/C ARRAY)	U	R508	1-216-801-11	METAL CHIP	22 5% 1/10W	U	R687	1-216-833-11	METAL CHIP	10K 5% 1/10W	S	RB106	1-234-496-21	ARRAY, RESISTOR	39X8
U	R457	1-218-871-11	METAL CHIP	10K 0.5% 1/10W (DD TXI,DD TXI/C ARRAY)	U	R509	1-216-821-11	METAL CHIP	1K 5% 1/10W	U	R689	1-216-845-11	METAL CHIP	100K 5% 1/10W	S	RB107	1-234-710-21	RES, CHIP NETWORK	47X8 (3816)
U	R458	1-216-864-11	METAL CHIP	0 5% 1/10W (DD FJT,DD FJT/C ARRAY)	U	R510	1-216-864-11	METAL CHIP	0 5% 1/10W	U	R692	1-216-833-11	METAL CHIP	10K 5% 1/10W	S	RB109	1-239-409-11	RES, CHIP NETWORK	47X4 (3216)
U	R459	1-216-833-11	METAL CHIP	10K 5% 1/10W	U	R513	1-216-805-11	METAL CHIP	47 5% 1/10W	U	R694	1-216-835-11	METAL CHIP	15K 5% 1/10W	S	RB110	1-234-710-21	RES, CHIP NETWORK	47X8 (3816)
U	R460	1-218-867-11	METAL CHIP	6.8K 0.5% 1/10W (DD FJT,DD FJT/C ARRAY)	U	R516	1-216-809-11	METAL CHIP	100 5% 1/10W	U	R695	1-216-833-11	METAL CHIP	10K 5% 1/10W	S	RB112	1-239-409-11	RES, CHIP NETWORK	47X4 (3216)
U	R460	1-218-887-11	METAL CHIP	47K 0.5% 1/10W (DD TXI,DD TXI/C ARRAY)	U	R517	1-216-809-11	METAL CHIP	100 5% 1/10W	U	R696	1-216-846-11	METAL CHIP	120K 5% 1/10W	S	RB113	1-234-710-21	RES, CHIP NETWORK	47X8 (3816)
U	R461	1-216-309-00	METAL CHIP	5.6 5% 1/10W	U	R522	1-218-965-11	RES-CHIP	10K 5% 1/16W	U	R698	1-216-835-11	METAL CHIP	15K 5% 1/10W	S	RB114	1-234-710-21	RES, CHIP NETWORK	47X8 (3816)
U	R462	1-216-857-11	METAL CHIP	1M 5% 1/10W	U	R531	1-216-809-11	METAL CHIP	100 5% 1/10W	U	R700	1-216-835-11	METAL CHIP	15K 5% 1/10W	S	RB117	1-234-710-21	RES, CHIP NETWORK	47X8 (3816)
U	R463	1-216-857-11	METAL CHIP	1M 5% 1/10W	U	R574	1-216-812-11	METAL CHIP	180 5% 1/10W	U	R805	1-216-809-11	METAL CHIP	100 5% 1/10W	S	RB118	1-234-710-21	RES, CHIP NETWORK	47X8 (3816)
U	R464	1-216-857-11	METAL CHIP	1M 5% 1/10W	U	R575	1-216-850-11	METAL CHIP	270K 5% 1/10W	U	R806	1-216-833-11	METAL CHIP	10K 5% 1/10W	S	RB121	1-239-409-11	RES, CHIP NETWORK	47X4 (3216)
U	R465	1-216-845-11	METAL CHIP	100K 5% 1/10W	U	R576	1-216-833-11	METAL CHIP	10K 5% 1/10W	U	R807	1-216-809-11	METAL CHIP	100 5% 1/10W	S	RB122	1-239-409-11	RES, CHIP NETWORK	47X4 (3216)
U	R466	1-216-821-11	METAL CHIP	1K 5% 1/10W	U	R577	1-216-818-11	METAL CHIP	560 5% 1/10W	U	R808	1-216-833-11	METAL CHIP	10K 5% 1/10W	S	RB123	1-234-710-21	RES, CHIP NETWORK	47X8 (3816)
U	R467	1-216-857-11	METAL CHIP	1M 5% 1/10W	U	R578	1-216-818-11	METAL CHIP	560 5% 1/10W	U	R809	1-217-671-11	METAL CHIP	1 5% 1/10W	S	RB124	1-234-710-21	RES, CHIP NETWORK	47X8 (3816)
U	R468	1-216-845-11	METAL CHIP	100K 5% 1/10W	U	R579	1-216-833-11	METAL CHIP	10K 5% 1/10W	U	R810	1-217-671-11	METAL CHIP	1 5% 1/10W	S	RB129	1-233-414-11	RES, CHIP NETWORK	4.7KX4 (3216)
U	R469	1-216-821-11	METAL CHIP	1K 5% 1/10W	U	R580	1-216-850-11	METAL CHIP	270K 5% 1/10W	U	R811	1-217-671-11	METAL CHIP	1 5% 1/10W	S	RB147	1-234-820-21	RES, CHIP NETWORK	91X8 (3816)
U	R470	1-216-864-11	METAL CHIP	0 5% 1/10W (DD FJT,DD FJT/C ARRAY)	U	R581	1-216-813-11	METAL CHIP	220 5% 1/10W	U	R812	1-217-671-11	METAL CHIP	1 5% 1/10W	S	RB149	1-234-820-21	RES, CHIP NETWORK	91X8 (3816)
U	R472	1-218-871-11	METAL CHIP	10K 0.5% 1/10W	U	R585	1-216-833-11	METAL CHIP	10K 5% 1/10W	U	R813	1-216-158-00	RES-CHIP	22 5% 1/8W	S	RB151	1-234-820-21	RES, CHIP NETWORK	91X8 (3816)
U	R473	1-218-863-11	METAL CHIP	4.7K 0.5% 1/10W	U	R586	1-216-864-11	METAL CHIP	0 5% 1/10W	U	R814	1-216-158-00	RES-CHIP	22 5% 1/8W	S	RB153	1-234-820-21	RES, CHIP NETWORK	91X8 (3816)
U	R474	1-216-853-11	METAL CHIP	470K 5% 1/10W	U	R587	1-216-864-11	METAL CHIP	0 5% 1/10W	U	R816	1-216-158-00	RES-CHIP	22 5% 1/8W	S	RB242	1-234-710-21	RES, CHIP NETWORK	47X8 (3816)
					U	R588	1-216-864-11	METAL CHIP	0 5% 1/10W	U	R817	1-216-158-00	RES-CHIP	22 5% 1/8W	S	RB244	1-234-710-21	RES, CHIP NETWORK	47X8 (3816)
					U	R592	1-216-864-11	METAL CHIP	0 5% 1/10W	U	R819	1-218-889-11	METAL CHIP	56K 0.5% 1/10W	S	RB246	1-234-710-21	RES, CHIP NETWORK	47X8 (3816)
					U	R593	1-216-864-11	METAL CHIP	0 5% 1/10W	U	R820	1-218-881-11	METAL CHIP	27K 0.5% 1/10W	S	RB295	1-233-789-11	RES, CHIP NETWORK	10KX2 (1608)
					U	R604	1-216-845-11	METAL CHIP	100K 5% 1/10W	U	R821	1-218-881-11	METAL CHIP	27K 0.5% 1/10W	S	RB296	1-234-598-21	RES, CHIP NETWORK	75X4 (3216)
					U	R605	1-216-833-11	METAL CHIP	10K 5% 1/10W	U	R822	1-218-881-11	METAL CHIP	27K 0.5% 1/10W	S	RB298	1-234-598-21	RES, CHIP NETWORK	75X4 (3216)
					U	R607	1-216-833-11	METAL CHIP	10K 5% 1/10W	U	R823	1-218-890-11	METAL CHIP	62K 0.5% 1/10W	S	RB310	1-233-414-11	RES, CHIP NETWORK	4.7KX4 (3216)
					U	R609	1-216-833-11	METAL CHIP	10K 5% 1/10W	U	R826	1-218-871-11	METAL CHIP	10K 0.5% 1/10W	S	RB311	1-233-412-11	RES, CHIP NETWORK	1KX4 (3216)
					U	R610	1-216-857-11	METAL CHIP	1M 5% 1/10W	U	R827	1-218-871-11	METAL CHIP	10K 0.5% 1/10W	S	RB314	1-236-420-11	RES, CHIP NETWORK	4.7KX2 (1608)
					U	R611	1-216-823-11	METAL CHIP	1.5K 5% 1/10W	U	R828	1-218-881-11	METAL CHIP	27K 0.5% 1/10W	S	RB320	1-239-409-11	RES, CHIP NETWORK	47X4 (3216)
					U	R612	1-216-833-11	METAL CHIP	10K 5% 1/10W	U	R834	1-218-871-11	METAL CHIP	10K 0.5% 1/10W	S	RB321	1-239-409-11	RES, CHIP NETWORK	47X4 (3216)
					U	R613	1-216-833-11	METAL CHIP	10K 5% 1/10W	U	R837	1-218-882-11	METAL CHIP	30K 0.5% 1/10W	S	RB324	1-233-412-11	RES, CHIP NETWORK	1KX4 (3216)
					U	R614	1-216-833-11	METAL CHIP	10K 5% 1/10W	U	R838	1-218-882-11	METAL CHIP	30K 0.5% 1/10W	S	RB325	1-233-412-11	RES, CHIP NETWORK	1KX4 (3216)
					U	R621	1-216-833-11	METAL CHIP	10K 5% 1/10W	U	R840	1-218-876-11	METAL CHIP	16K 0.5% 1/10W	S	RB326	1-233-412-11	RES, CHIP NETWORK	1KX4 (3216)
					U	R622	1-216-864-11	METAL CHIP	0 5% 1/10W	U	R843	1-218-882-11	METAL CHIP	30K 0.5% 1/10W	S	RB327	1-236-908-11	RES, CHIP NETWORK	10KX4 (3216)
					U	R625	1-216-833-11	METAL CHIP	10K 5% 1/10W	U	R846	1-218-882-11	METAL CHIP	30K 0.5% 1/10W	S	RB328	1-23		

SC	Ref. No.	Part No.	Description	Remark
S	RB406	1-233-792-11	RES, CHIP NETWORK 100KX2 (1608)	
S	RB411	1-233-412-11	RES, CHIP NETWORK 1KX4 (3216)	
S	RB511	1-239-409-11	RES, CHIP NETWORK 47X4 (3216)	
S	RB522	1-234-711-21	RES, CHIP NETWORK 22X8 (3816)	
S	RB525	1-234-711-21	RES, CHIP NETWORK 22X8 (3816)	
S	RB527	1-234-711-21	RES, CHIP NETWORK 22X8 (3816)	
S	RB529	1-234-711-21	RES, CHIP NETWORK 22X8 (3816)	
S	RB531	1-234-711-21	RES, CHIP NETWORK 22X8 (3816)	
S	RB533	1-234-711-21	RES, CHIP NETWORK 22X8 (3816)	
S	RB535	1-234-711-21	RES, CHIP NETWORK 22X8 (3816)	
S	RB537	1-234-711-21	RES, CHIP NETWORK 22X8 (3816)	
S	RB603	1-236-908-11	RES, CHIP NETWORK 10KX4 (3216)	
S	RB606	1-233-412-11	RES, CHIP NETWORK 1KX4 (3216)	
S	RB609	1-239-409-11	RES, CHIP NETWORK 47X4 (3216)	
S	RB610	1-236-908-11	RES, CHIP NETWORK 10KX4 (3216)	
< THERMISTOR (POSITIVE) >				
S△	TH001	1-804-812-11	THERMISTOR, POSITIVE	
S△	TH002	1-804-812-11	THERMISTOR, POSITIVE	
S△	TH003	1-804-812-11	THERMISTOR, POSITIVE	
< VIBRATOR >				
S	X102	1-781-640-21	VIBRATOR, CRYSTAL (18.432MHz)	
S	X302	1-781-768-21	VIBRATOR, CRYSTAL (16.9344MHz)	
S	X601	1-781-768-21	VIBRATOR, CRYSTAL (16.9344MHz)	
S	X602	1-760-458-21	VIBRATOR, CRYSTAL (32.768kHz)	

S		A-6800-233-A	SW-398 BOARD, COMPLETE	

< CAPACITOR >				
U	C752	1-125-837-91	CERAMIC CHIP 1uF 10% 6.3V	
< CONNECTOR >				
U	CN751	1-793-906-11	CONNECTOR, FFC/FPC (LIF) 12P	
< DIODE >				
U	D751	6-500-607-01	LED CL-501YE-D-T	
U	D752	6-500-204-01	LED CL-190UB2-X-T	
< IC >				
U	IC751	6-704-096-01	IC RS-570D-T	
< COIL >				
U	L751	1-469-847-11	INDUCTOR 100uH	
< RESISTOR >				
U	R751	1-216-832-11	METAL CHIP 8.2K 5% 1/10W	
U	R752	1-218-867-11	METAL CHIP 6.8K 5% 1/10W	
U	R753	1-218-701-11	METAL CHIP 2.4K 5% 1/10W	
U	R754	1-216-832-11	METAL CHIP 8.2K 5% 1/10W	
< SWITCH >				
U	S751	1-771-917-21	SWITCH, TACTILE	
U	S752	1-771-917-21	SWITCH, TACTILE	

<p>The components identified by mark △ or dotted line with mark △ are critical for safety. Replace only with part number specified.</p>	<p>Les composants identifiés par une marque △ sont critiques pour la sécurité. Ne les remplacer que par une pièce portant le numéro spécifié.</p>
---	---